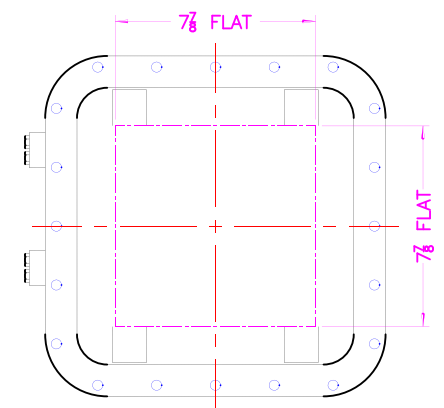
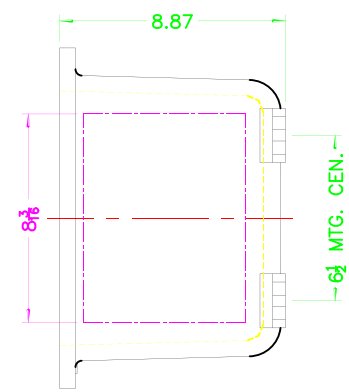
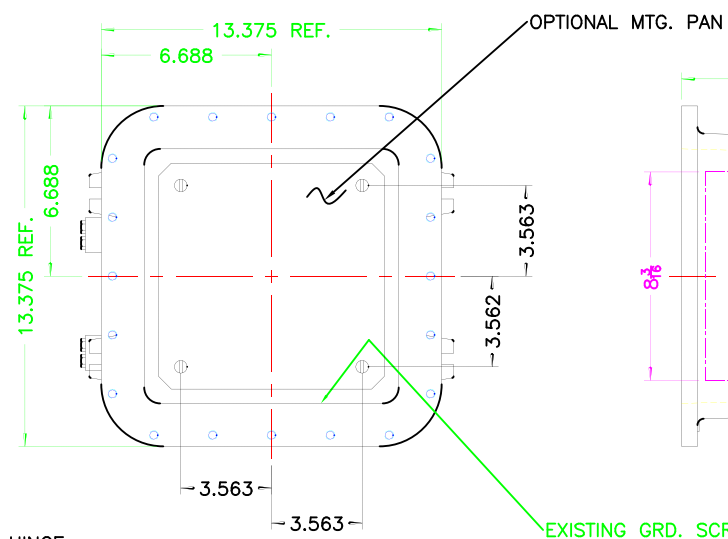
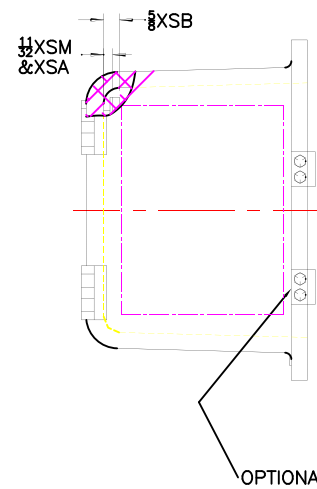
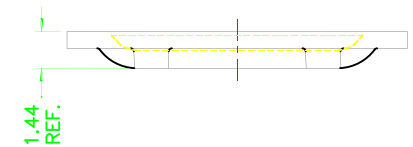
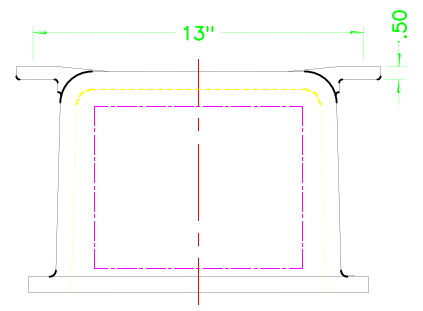


REV	REVISION	BY	ECN	DATE

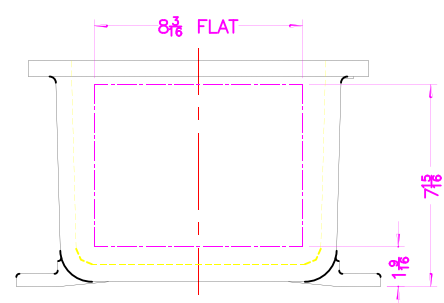


XCE 1010 COVER

NOTES:

COVER DRILLING ALLOWABLE IN XCE ONLY

1. MINIMUM SPACING FROM CENTER OF OPERATOR TO NEAREST FLAT IS 1 1/8".
2. MINIMUM SPACING BETWEEN 3/4-14 NPSM OPERATOR CENTERS IS 2 1/2" FOR THIS ENCLOSURE.
3. MAXIMUM NUMBER OF OPERATORS IS 9.
4. DIMENSION FROM CENTER LINES OF COVER FOR OPERATORS.
5. DIMENSION FROM CENTER LINE AND BACK OF MTG. LUG FOR CONDUIT.
6. FOR MTG. ENCLOSURE USE 3/8 BOLT.



DO NOT SCALE DRAWING UNLESS OTHERWISE SPECIFIED DIMENSIONS ARE IN INCHES. CAST TOLERANCES ON DIMENSIONS NOT OTHERWISE SPECIFIED: √ = 1/8" STOCK FILLET OR CORNER RADI 1/8" DRAFT 1 1/2" FRAC ± 1/16" ANGLES ± 1° MACHINE TOLERANCES ON DIMENSIONS NOT OTHERWISE SPECIFIED: √ = 125 FIL ± .03" EDGE BREAK .005"-.015" R. or 45° ANGLES ± 0°-30° GAGING FOR THREADED HOLES NOT OTHERWISE SPECIFIED: NPT E-21-2.6 NPSM E-24-1.0		<b>ADALET</b> A SCOTT FETZER COMPANY Enclosure Systems - Cable Accessories		TITLE <b>MODIFIED XCE/XJF 101008 ENCLOSURE FOR</b>	
NOTICE TO PERSONS RECEIVING THIS DRAWING: ADALET-PLM CLAIMS PROPRIETARY RIGHTS IN THE MATERIAL DISCLOSED HEREON. THIS DRAWING IS ISSUED IN CONFIDENCE FOR ENGINEERING INFORMATION ONLY AND MAY NOT BE REPRODUCED OR USED TO MANUFACTURE, WITHOUT WRITTEN PERMISSION FROM ADALET-PLM TO THE USER.		DRAWN BY <b>DDH</b>	DATE <b>6-13-01</b>	ENG APPROVAL	PLOT SCALE <b>1=4</b>
FINISH <b>TUMBLAST</b>		MFG APPROVAL		DWG SIZE <b>C</b>	
CAT NO <b>XCE/XJF 101008</b>		DWG NO		SHT <b>10F1</b>	REV