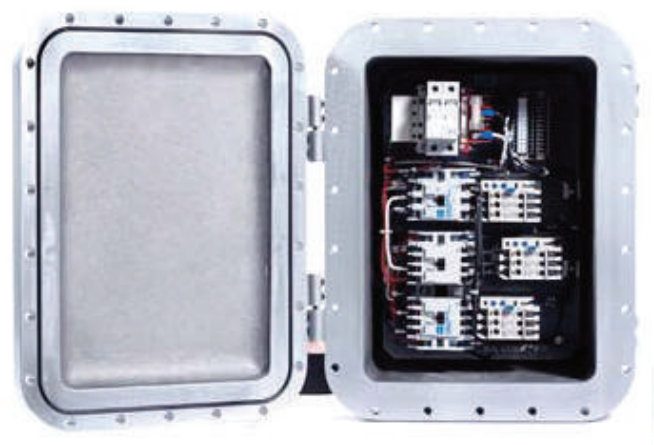




CONTROL STATIONS



XCE SERIES • CERTIFICATIONS

Class I, Groups B, C & D
Class II, Groups E, F & G
Class III

UL 1203
CSA C22.2 No. 25 & 30

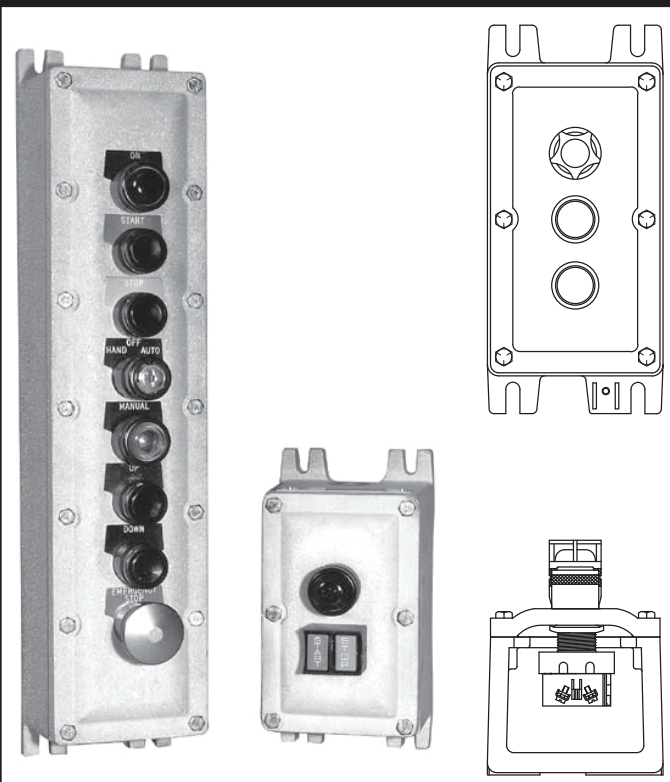
Type 4, (w/N4 suffix)
Type 4X (w/SS cover bolts)

UL 50



For over 40 years we've specialized in providing value added products and services on electrical equipment for the most demanding of applications and environments.

NEMA 7 CONTROL STATIONS



Catalog Number	Nominal Inside Dimensions	Dimensions		Number Operators	Std. Conduit Size (in.)
		A	B		
X1	030303	4 1/2	5 1/2	1	3/4
X2	030603	7 1/16	8	2	3/4
X3	030703	8 1/8	9	3	3/4
X4	030903	10 1/16	11	4	1
X5	031103	12 1/16	13	5	1 1/4
X6	031303	14 1/16	15	6	1 1/4
X7	031503	16	17	7	1 1/4
X8	031803	19	20	8	1 1/4
X12	032403	25 1/16	26	12	1 1/2
X15	033003	31 1/8	32 1/8	15	1 1/2
X18	033603	37 1/4	38 1/8	18	1 1/2

FEATURES & CERTIFICATIONS

- Lightweight, copper free aluminum, corrosion resistant
- Operators may be mounted through back wall for panel mounting
- For NEMA 4X or special machining see XIFC series
- Box depth allows stacking of 2 contact blocks

Class I, Groups C & D
Class II, Groups E, F & G
UL: Standard 698
CSA Standard C22.2 No. 30
(CSA certification requires guarded pilot lights)

NEMA7.COM • 800.739.9145 • PH: 918.665.6888 • FAX: 918.663.8615

NEMA 7 CONTROL ENCLOSURES



FEATURES & CERTIFICATIONS

- Copper free aluminum, lightweight & corrosion resistant
- Available with steel mounting pan (additional charge)
- Available with NEMA 4 “O” Ring (additional charge)
- Flameproof Enclosure with ATEX rating available

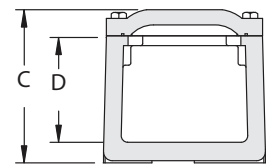
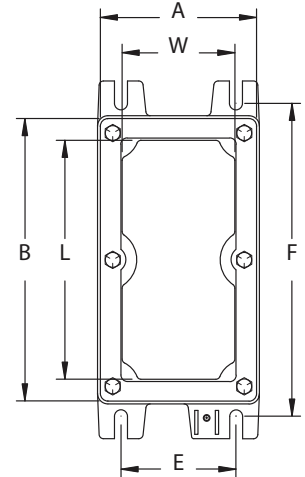
Class I, Groups B, C & D
Class II, Groups E, F & G
Class III

UL 1203

CSA C22.2 No. 25 & 30

Type 4, (w/N4 suffix)

UL 50



NEMA 7 CONTROL ENCLOSURES

XCE Catalog	Inside Nom. Dimensions			Overall Dimensions			Mounting CL to CL		Mtg Bolt Size
	W	L	D	A	B	C	Lug E	Lug F	
XIFC030303	3 5/16	3 5/16	3 3/16	4 1/2	4 1/2	4 5/16	3 1/4	5 1/2	5/16
XIFC030603	3 1/4	5 3/4	3	4 1/2	7 1/16	4 1/4	3 1/4	8	5/16
XIFC030703	3 1/4	6 7/8	3	4 1/2	8 1/8	4 5/16	3 5/16	9	5/16
XIFC030903	3 11/32	8 15/16	3	4 1/2	10 1/16	4 5/16	3 1/4	11	5/16
XIFC031103	3 1/4	10 15/16	3	4 1/2	12	4 5/16	3 1/4	13	5/16
XIFC031303	3 1/4	12 13/16	3	4 1/2	14 1/16	4 5/16	3 1/4	15	5/16
XIFC031503	3 1/4	14 3/4	3 1/16	4 1/2	16	4 5/16	3 1/4	17	5/16
XIFC031803	3 1/4	17 3/4	3	4 1/2	19	4 1/4	3 1/4	20	5/16
XIFC032403	3 1/4	23 9/16	3	4 1/2	25 1/16	4 5/16	3 1/4	26	5/16
XIFC033003	3 1/4	29 1/2	3	4 9/16	31 1/16	4 5/16	3 1/4	32 1/8	5/16
XIFC033603	3 1/4	35 7/16	3	4 1/2	37 1/4	4 3/8	3 1/4	38 1/8	5/16
XIFC040604	4 1/8	5 7/8	4	5 3/8	7	5 5/16	4 3/8	8 1/4	5/16
XIFC041204	4 1/4	11 13/16	4	5 1/2	13 1/8	5 5/16	4 3/8	14 1/4	5/16
XIFC060606	5 1/2	5 1/2	6	7	7	7 3/8	5 1/2	8 1/2	3/8
XIFC060608	5 1/4	5 1/2	8	7	7	9 3/8	5 1/2	8 1/2	3/8
XIFC061206	5 1/4	11 1/8	6	7 1/4	13 1/2	7 5/8	5 1/2	15	3/8
XIFC070704	6 7/8	6 7/8	4	7 15/16	7 15/16	5 5/16	6 5/8	9 1/8	3/8