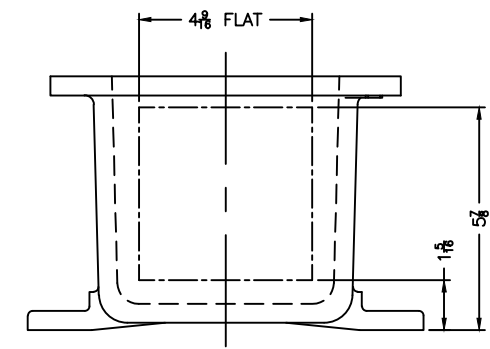


XCE 0612 COVER



- COVER DRILLING ALLOWABLE IN XCE ONLY
- NOTES:
1. MINIMUM SPACING FROM CENTER OF OPERATOR TO NEAREST FLAT IS 1 1/8.
 2. MINIMUM SPACING BETWEEN 1/4"-14 NPSM OPERATOR CENTERS IS 2 1/2 FOR THIS ENCLOSURE.
 3. MAXIMUM NUMBER OF OPERATORS IS 4.
 4. DIMENSION FROM CENTER LINES OF COVER FOR OPERATORS.
 5. DIMENSION FROM CENTER LINE AND BACK OF MTG. LUG FOR CONDUIT.
 6. FOR MTG. ENCLOSURE USE 3/8 BOLT.

<small>DO NOT SCALE DRAWING</small> <small>UNLESS OTHERWISE SPECIFIED DIMENSIONS ARE IN INCHES</small> <small>COPY TOLERANCES ON DIMENSIONS NOT OTHERWISE SPECIFIED:</small> <small>1/2" = 1/16" STOCK</small> <small>FILLET OR CORNER RADI 1/8"</small> <small>DRAWN: 1/22</small> <small>FWG: ±1/16"</small> <small>ANGLES ± 1°</small> <small>MACHINE TOLERANCES ON DIMENSIONS NOT OTHERWISE SPECIFIED:</small> <small>1/2" = 1/32"</small> <small>1/4" = 1/64"</small> <small>3/16" = 1/32"</small> <small>1/8" = 1/64"</small> <small>EDGE BREAK .005"-.015" R. or 45°</small> <small>ANGLES ± 0-30°</small> <small>GAGING FOR THERMATED HOLES NOT OTHERWISE SPECIFIED:</small> <small>NPT E-21-2.5</small> <small>NPSM E-24-1.0</small>	ADALET <small>A SCOTT FETZER COMPANY</small> <small>Enclosures Systems • Cable Accessories</small>	<small>MODIFIED XCE/XJF 061206 ENCLOSURE FOR</small>			
		<small>NOTICE TO PERSONS RECEIVING THIS DRAWING:</small> <small>ADALET-PLM CLAIMS PROPRIETARY RIGHTS IN THE MATERIAL DISCLOSED HEREIN. THIS DRAWING IS ISSUED IN CONFIDENCE FOR DIAGNOSTIC INFORMATION ONLY AND MAY NOT BE REPRODUCED OR USED TO MANUFACTURE ANYTHING SHOWN HEREON WITHOUT EXPRESS WRITTEN PERMISSION FROM ADALET-PLM TO THE USER.</small>	<small>DRAWN BY</small> DDH	<small>DATE</small> 5-10-01	
		<small>APPROVAL</small>	<small>PLANT SCALE</small> 1=2.5	<small>DWG NO.</small>	<small>REV</small>
		<small>DESIGNER</small> TUMBLAST	<small>DWG NO.</small>	<small>REV</small>	<small>DATE</small>
<small>CAD NO</small> XCE/XJF 061206					