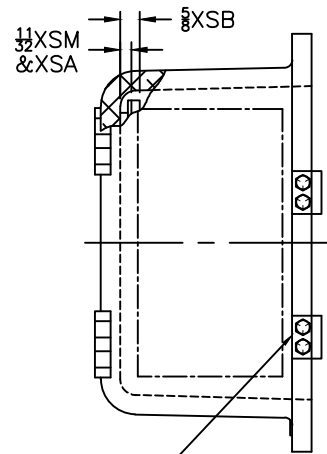
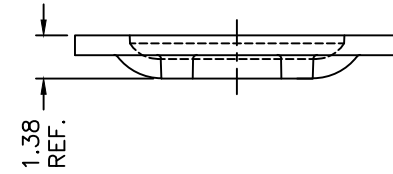
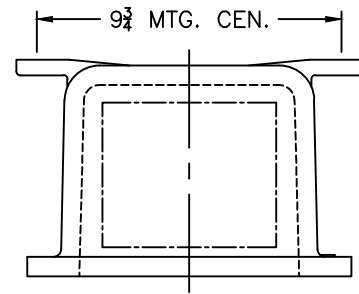
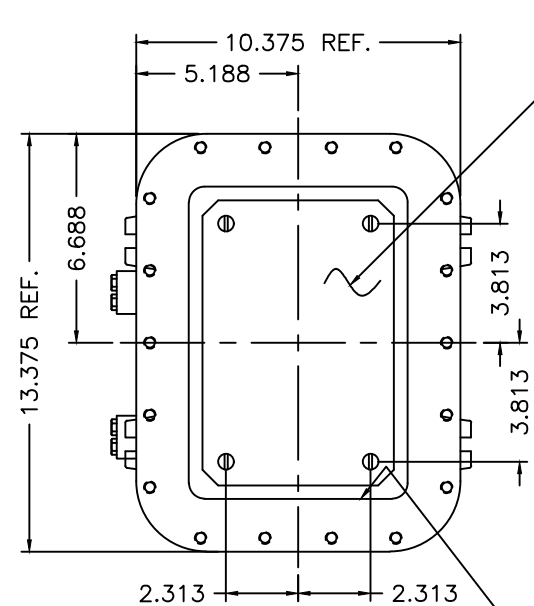


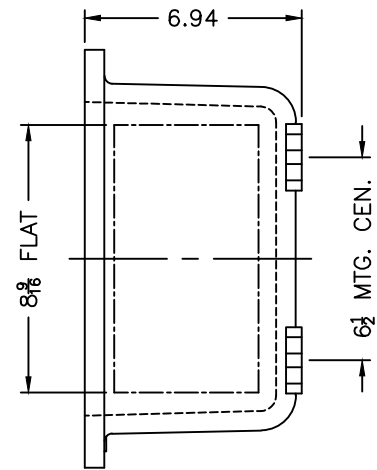
REV	REVISION	BY	ECN	DATE



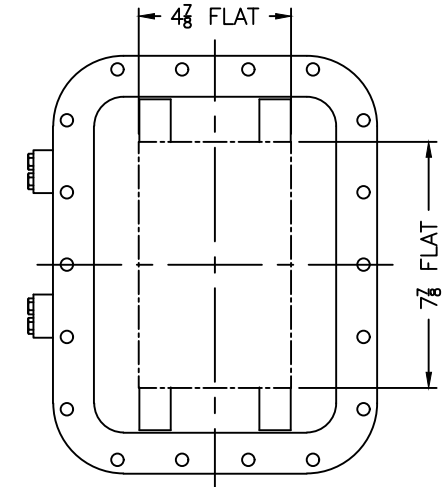
OPTIONAL XHB-2 HINGES



OPTIONAL MTG. PAN



EXISTING GRD. SCREW

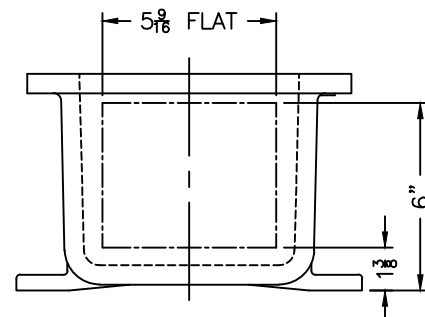


### XCE 0710 COVER

NOTES:

COVER DRILLING ALLOWABLE IN XCE ONLY

1. MINIMUM SPACING FROM CENTER OF OPERATOR TO NEAREST FLAT IS 1 1/8.
2. MINIMUM SPACING BETWEEN 3/4-14 NPSM OPERATOR CENTERS IS 2 1/2 FOR THIS ENCLOSURE.
3. MAXIMUM NUMBER OF OPERATORS IS 6.
4. DIMENSION FROM CENTER LINES OF COVER FOR OPERATORS.
5. DIMENSION FROM CENTER LINE AND BACK OF MTG. LUG FOR CONDUIT.
6. FOR MTG. ENCLOSURE USE 3/8 BOLT.



DO NOT SCALE DRAWING UNLESS OTHERWISE SPECIFIED DIMENSIONS ARE IN INCHES.		TITLE MODIFIED XCE/XJF 071006 ENCLOSURE FOR	
CAST TOLERANCES ON DIMENSIONS NOT OTHERWISE SPECIFIED: √ = 1/8" STOCK FILLET OR CORNER RADI 1/8" DRAFT 1 1/2" FRAC ± 1/16" ANGLES ± 1°		DRAWN BY DDH DATE 6-12-01	
MACHINE TOLERANCES ON DIMENSIONS NOT OTHERWISE SPECIFIED: XX ± .03" XXX ± .010" FILLET RADI .03" EDGE BREAK .005"-.015" R. or 45° ANGLES ± 0°-30°		ENG APPROVAL PLOT SCALE 1=4	
GAGING FOR THREADED HOLES NOT OTHERWISE SPECIFIED: NPT E-21-2.6 NPSM E-24-1.0		MFG APPROVAL DWG SIZE C	
FINISH TUMBLAST		DWG NO	
CAT NO XCE/XJF 071006		SHT 10F1 REV	