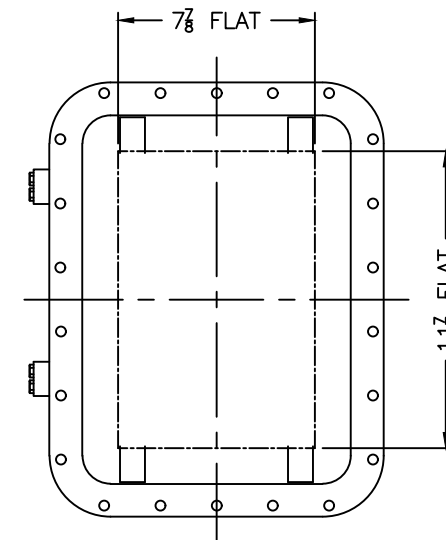
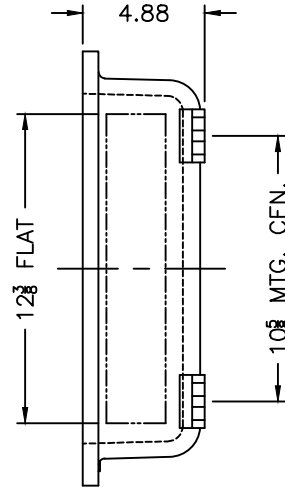
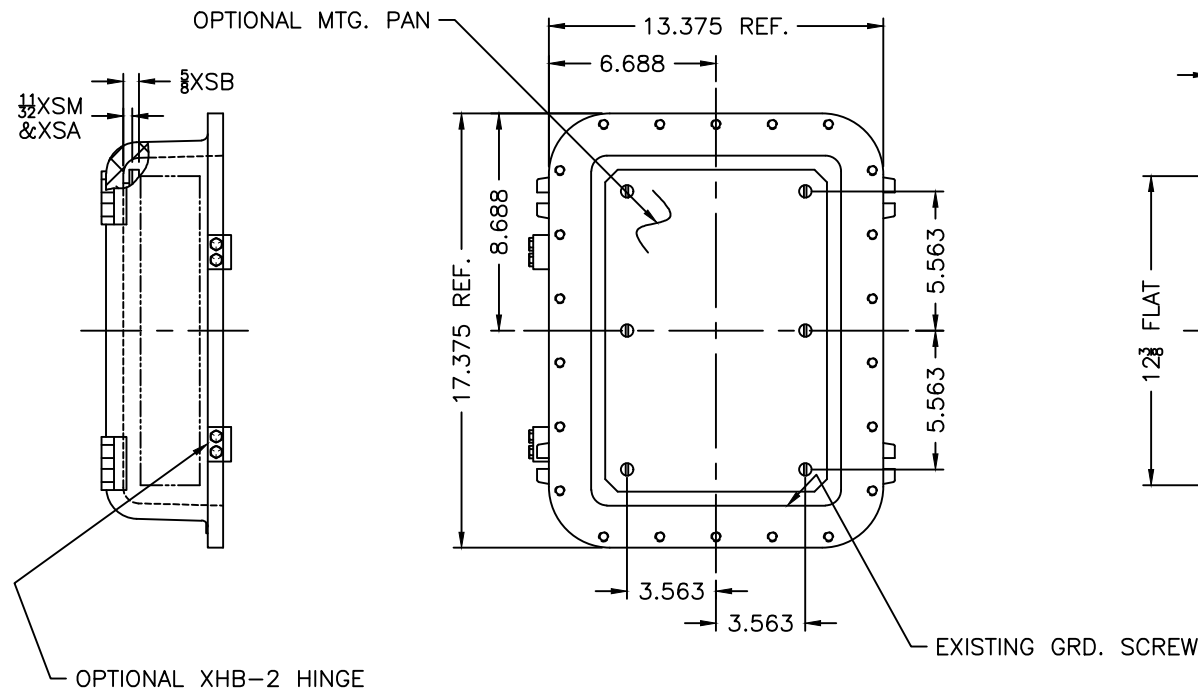
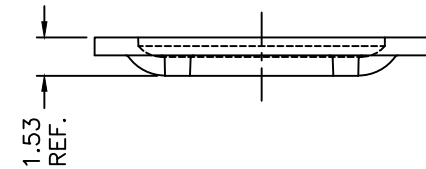
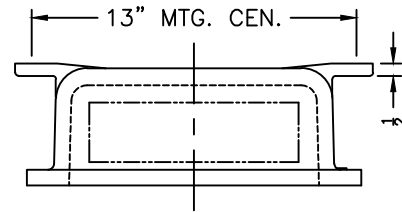


REV	REVISION	BY	ECN	DATE

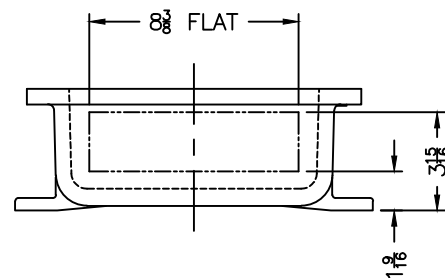


XCE 1014 COVER

NOTES:

COVER DRILLING ALLOWABLE IN XCE ONLY

1. MINIMUM SPACING FROM CENTER OF OPERATOR TO NEAREST FLAT IS 1 1/8.
2. MINIMUM SPACING BETWEEN 3/4-14 NPSM OPERATOR CENTERS IS 2 1/2 FOR THIS ENCLOSURE.
3. MAXIMUM NUMBER OF OPERATORS IS 12.
4. DIMENSION FROM CENTER LINES OF COVER FOR OPERATORS.
5. DIMENSION FROM CENTER LINE AND BACK OF MTG. LUG FOR CONDUIT.
6. FOR MTG. ENCLOSURE USE 3/8 BOLT.



DO NOT SCALE DRAWING UNLESS OTHERWISE SPECIFIED DIMENSIONS ARE IN INCHES.		ADALET A SCOTT FETZER COMPANY Enclosure Systems • Cable Accessories		TITLE MODIFIED XCE/XJF 101404 ENCLOSURE FOR	
CAST TOLERANCES ON DIMENSIONS NOT OTHERWISE SPECIFIED: √ = 1/8" STOCK FILLET OR CORNER RADI 1/8" DRAFT 1 1/2" FRAC ± 1/16" ANGLES ± 1°				DRAWN BY DDH	DATE 11-09-01
MACHINE TOLERANCES ON DIMENSIONS NOT OTHERWISE SPECIFIED: XX ± .03" FILLET RADI .03" EDGE BREAK .005"-.015" R. or 45° ANGLES ± 0°-30°		ENG APPROVAL	PLOT SCALE 1=5		
GAGING FOR THREADED HOLES NOT OTHERWISE SPECIFIED: NPT E-21-2.6 NPSM E-24-1.0		MFG APPROVAL	DWG SIZE C		
FINISH TUMBLAST		DWG NO	SHT 10F1		
CAT NO XCE/XJF 101404		REV			