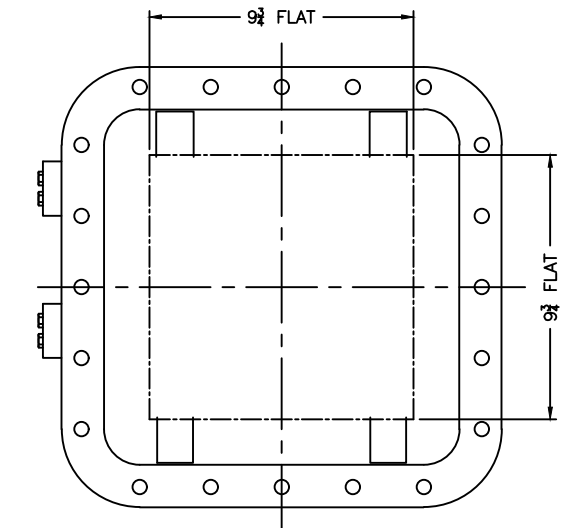
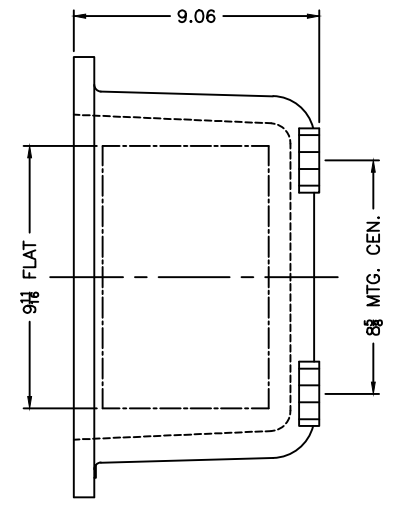
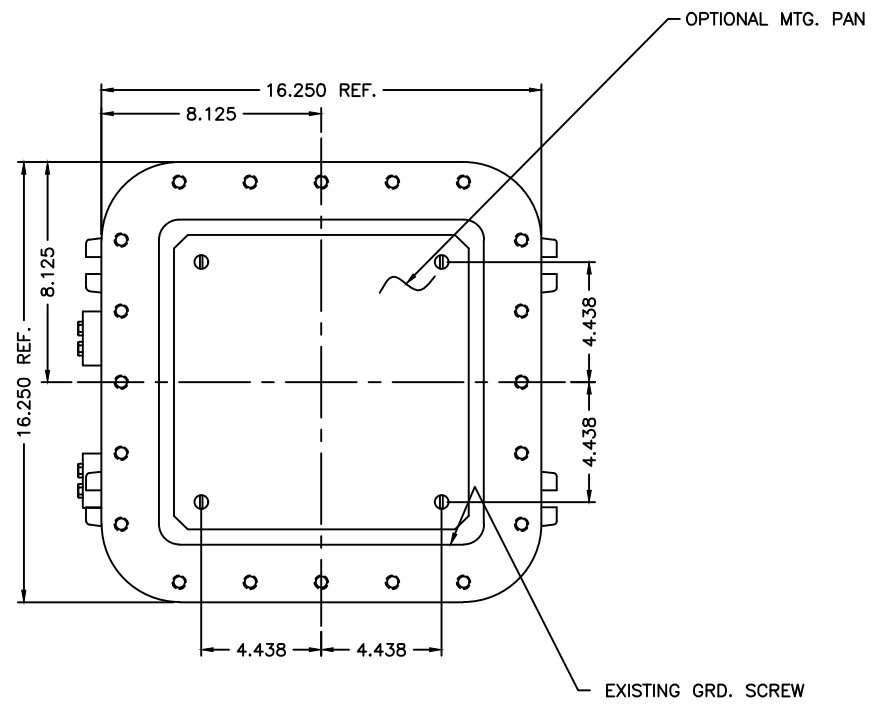
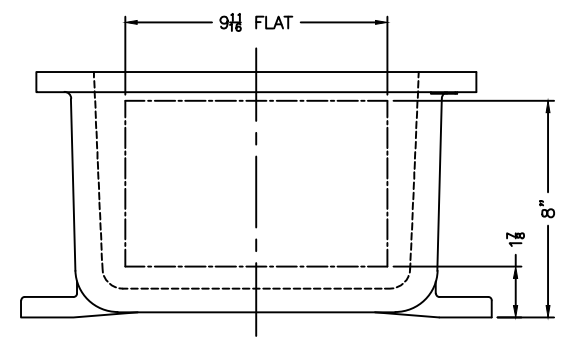


OPTIONAL XHC-2 HINGES



XCE 1212 COVER



- NOTES:
- COVER DRILLING ALLOWABLE IN XCE ONLY
1. MINIMUM SPACING FROM CENTER OF OPERATOR TO NEAREST FLAT IS 1 1/8.
 2. MINIMUM SPACING BETWEEN 3/4-14 NPSM OPERATOR CENTERS IS 3 FOR THIS ENCLOSURE.
 3. MAXIMUM NUMBER OF OPERATORS IS 9.
 4. DIMENSION FROM CENTER LINES OF COVER FOR OPERATORS.
 5. DIMENSION FROM CENTER LINE AND BACK OF MTG. LUG FOR CONDUIT.
 6. FOR MTG. ENCLOSURE USE 1/2 BOLT.

DO NOT SCALE DRAWING UNLESS OTHERWISE SPECIFIED DIMENSIONS ARE IN INCHES. CAST TOLERANCES OR DIMENSIONS NOT OTHERWISE SPECIFIED: 1/2" - 1/8" STOCK FILLET OR CORNER RADII 1/8" DRAFT 1/2" FRAC ± 1/16" ANGLES ± 1°		ADALET A SCOTT FETZER COMPANY Enclosure Systems • Cable Accessories NOTICE TO PERSONS RECEIVING THIS DRAWING: ADALET-PLM CLAIMS PROPRIETARY RIGHTS IN THE MATERIAL DISCLOSED HEREIN. THIS DRAWING IS ISSUED IN CONFIDENCE FOR EXHAUSTIVE INFORMATION ONLY AND MAY NOT BE REPRODUCED OR USED TO MANUFACTURE ANYTHING SHOWN HEREON WITHOUT EXPRESS WRITTEN PERMISSION FROM ADALET-PLM TO THE USER.	TITLE MODIFIED XCE/XJF 121208 ENCLOSURE FOR	
MACHINE TOLERANCES OR DIMENSIONS NOT OTHERWISE SPECIFIED: 1/2" = 1/32" 1/4" = .015" JOK ± .010" EDGE BREAK .005" - .015" R. or 45° ANGLES ± 0°-30°			DRAWN BY DDH	DATE 11-12-01
GAGING FOR PERFORATED HOLES NOT OTHERWISE SPECIFIED: NPSM E-24-1.0		ENG APPROVAL	PLAT SCALE 1=3.5	
MATERIAL: TUMBLAST		MFG APPROVAL	DWG SIZE D	
PART NO XCE/XJF 121208		DWG NO	SHEET NO 10F1	