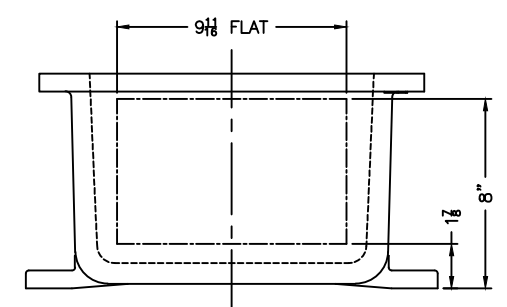


XCE 1218 COVER

NOTES:

- COVER DRILLING ALLOWABLE IN XCE ONLY—
1. MINIMUM SPACING FROM CENTER OF OPERATOR TO NEAREST FLAT IS 1 1/8.
  2. MINIMUM SPACING BETWEEN 3/4-14 NPSM OPERATOR CENTERS IS 3" FOR THIS ENCLOSURE.
  3. MAXIMUM NUMBER OF OPERATORS IS 15.
  4. DIMENSION FROM CENTER LINES OF COVER FOR OPERATORS.
  5. DIMENSION FROM CENTER LINE AND BACK OF MTG. LUG FOR CONDUIT.
  6. FOR MTG. ENCLOSURE USE 1/2 BOLT.



|  |   |   |
|--|---|---|
| DO NOT SCALE DRAWING<br>UNLESS OTHERWISE SPECIFIED<br>DIMENSIONS ARE IN INCHES.<br>CASE TOLERANCES ON DIMENSIONS<br>NOT OTHERWISE SPECIFIED:<br>1/2" = 1/16" STOCK<br>FILLET OR CORNER RADI 1/8"<br>SHAFT 1/2"<br>FRAG ± 1/16"<br>ANGLES ± 1°  | <b>ADALET</b><br>— A SCOTT FETZER COMPANY<br>Enclosure Systems • Cable Accessories          | TITLE<br>MODIFIED XCE/XJF 121808 ENCLOSURE<br>FOR |
| NOTICE TO PERSONS RECEIVING THIS DRAWING:<br>ADALET-PLM CLAIMS PROPRIETARY RIGHTS IN THE MATERIAL<br>DISCLOSED HEREIN. THIS DRAWING IS ISSUED IN CONFIDENCE<br>FOR EXHAUSTIVE INFORMATION ONLY AND MAY NOT BE REPRODUCED<br>OR USED TO MANUFACTURE ANYTHING SHOWN HEREIN WITHOUT<br>EXPLICIT WRITTEN PERMISSION FROM ADALET-PLM TO THE USER. | DRAWN BY DDH DATE 11-12-01<br>ENG APPROVAL<br>MFG APPROVAL<br>DWG NO. TUMBLAST<br>DWG BOX D | SET 1 OF 1  |
| MACHINE TOLERANCES ON DIMENSIONS<br>SHOWN NOT OTHERWISE SPECIFIED:<br>1/2" = 1/32"<br>XOX ± .010"<br>EDGE BREAK .005" - .015" R. or 45°<br>ANGLES ± 0°-30°   | GAGING FOR THERMATED HOLES<br>NOT OTHERWISE SPECIFIED:<br>NPSM E-24-1.0                     | CAT NO XCE/XJF 121808                             |