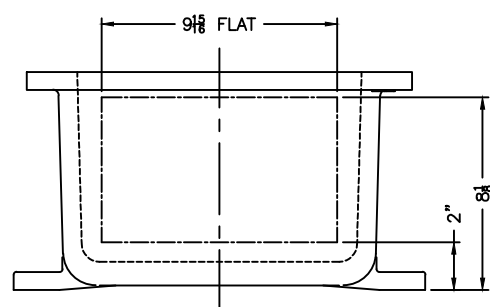


OPTIONAL XHC-2 HINGES

XCE 1224 COVER



NOTES:

- COVER DRILLING ALLOWABLE IN XCE ONLY
1. MINIMUM SPACING FROM CENTER OF OPERATOR TO NEAREST FLAT IS 1 1/8.
 2. MINIMUM SPACING BETWEEN 3/4-14 NPSM OPERATOR CENTERS IS 3 FOR THIS ENCLOSURE.
 3. MAXIMUM NUMBER OF OPERATORS IS 21.
 4. DIMENSION FROM CENTER LINES OF COVER FOR OPERATORS.
 5. DIMENSION FROM CENTER LINES AND BACK OF MTG. LUG FOR CONDUIT.
 6. FOR MTG. ENCLOSURE USE 1/2 BOLT.

<small>DO NOT SCALE DRAWING</small> <small>UNLESS OTHERWISE SPECIFIED DIMENSIONS ARE IN INCHES.</small> <small>CAST TOLERANCES OR DIMENSIONS NOT OTHERWISE SPECIFIED:</small> <small>✓ = 1/8 STOCK</small> <small>FLAT OR CORNER RAD 1/8"</small> <small>HOLES 1/16"</small> <small>FRAC ± 1/16"</small> <small>ANGLES ± 1°</small> <small>MACHINE TOLERANCES OR DIMENSIONS NOT OTHERWISE SPECIFIED:</small> <small>✓ = 120°</small> <small>✓ = 30°</small> <small>✓ = 45°</small> <small>✓ = 90°</small> <small>✓ = 135°</small> <small>✓ = 180°</small> <small>EDGE BREAK .005" - .015" R. or 45°</small> <small>ANGLES ± 0-30°</small> <small>GAGING FOR THERMAD HOLE</small> <small>NOT OTHERWISE SPECIFIED:</small> <small>NPSM E-24-1.0</small>		ADALET <small>A SCOTT FETZER COMPANY</small> <small>Enclosure Systems • Cable Accessories</small>		<small>MODIFIED XCE/XJF 122408 ENCLOSURE FOR</small>	
<small>NOTICE TO PERSONS RECEIVING THIS DRAWING:</small> <small>ADALET-PLM CLAIMS PROPRIETARY RIGHTS IN THE MATERIAL DISCLOSED HEREIN. THIS DRAWING IS ISSUED IN CONFIDENCE FOR EXHAUSTIVE INFORMATION ONLY AND MAY NOT BE REPRODUCED OR USED TO MANUFACTURE ANYTHING SHOWN HEREIN WITHOUT EXPRESS WRITTEN PERMISSION FROM ADALET-PLM TO THE USER.</small>		<small>DRAWN BY</small> DDH	<small>DATE</small> 11-12-01	<small>ENG APPROVAL</small>	<small>PLAT SCALE</small> 1=4
<small>MATERIAL:</small> TUMBLAST		<small>MPG APPROVAL</small>	<small>DWG SIZE</small> D	<small>REV</small>	
<small>CAT NO</small> XCE/XJF 122408		<small>DWG NO</small>	<small>SHEET</small> 10F1	<small>REV</small>	