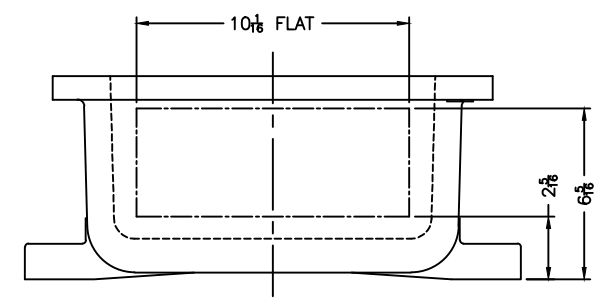


OPTIONAL XHC-2 HINGES

OPTIONAL MTG. PAN

EXISTING GRD. SCREW



XCE 1230 COVER

NOTES:

- COVER DRILLING ALLOWABLE IN XCE ONLY
1. MINIMUM SPACING FROM CENTER OF OPERATOR TO NEAREST FLAT IS 1 1/8.
 2. MINIMUM SPACING BETWEEN 3-14 NPSM OPERATOR CENTERS IS 3 FOR THIS ENCLOSURE.
 3. MAXIMUM NUMBER OF OPERATORS IS 27.
 4. DIMENSION FROM CENTER LINES OF COVER FOR OPERATORS.
 5. DIMENSION FROM CENTER LINE AND BACK OF MTG. LUG FOR CONDUIT.
 6. FOR MTG. ENCLOSURE USE 3/8 BOLT.

<small>DO NOT SCALE DRAWING</small> <small>UNLESS OTHERWISE SPECIFIED DIMENSIONS ARE IN INCHES.</small> <small>CAST TOLERANCES OR DIMENSIONS NOT OTHERWISE SPECIFIED:</small> <small>1/2" = 1/16" STOCK</small> <small>FILLET OR CORNER RADII 1/8"</small> <small>CHAMF 1/16"</small> <small>ANGLES ± 1°</small> <small>MACHINE TOLERANCES ON DIMENSIONS NOT OTHERWISE SPECIFIED:</small> <small>1/2" = .015"</small> <small>1/4" = .010"</small> <small>1/8" = .007"</small> <small>EDGE BREAK .005"-.015" R. or 45°</small> <small>ANGLES ± 0-30°</small> <small>GAGING FOR PERFORATED HOLES NOT OTHERWISE SPECIFIED:</small> <small>NPSM E-21-1.0</small> <small>NPSM E-24-1.0</small>		ADALET <small>A SCOTT FETZER COMPANY</small> <small>Enclosure Systems • Cable Accessories</small>		<small>MODIFIED XCE/XJF 123006 ENCLOSURE FOR</small>	
<small>NOTICE TO PERSONS RECEIVING THIS DRAWING: ADALET-PLM, CLAIM PROPRIETARY RIGHTS IN THE MATERIAL DISCLOSED HEREON. THIS DRAWING IS ISSUED IN CONFIDENCE FOR EXAMINATION PURPOSES ONLY AND MAY NOT BE REPRODUCED OR USED TO MANUFACTURE ANYTHING SHOWN HEREON WITHOUT EXPRESS WRITTEN PERMISSION FROM ADALET-PLM TO THE USER.</small>		<small>DRAWN BY</small> DDH	<small>DATE</small> 11-13-01	<small>ENG APPROVAL</small>	<small>PLAT SCALE</small> 1=3.5
<small>MATERIAL:</small> TUMBLAST		<small>MFG APPROVAL</small>	<small>DWG NO</small>	<small>DWG SIZE</small> D	<small>REV</small>
<small>CAT NO</small> XCE/XJF 123006		<small>REV</small>	<small>REV</small>	<small>REV</small>	<small>REV</small>