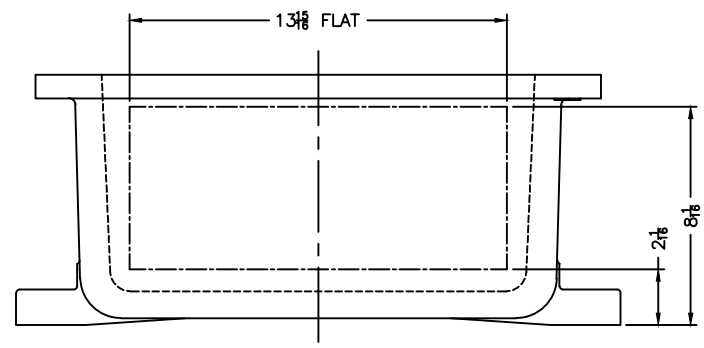


XCE 1616 COVER



NOTES:

- COVER DRILLING ALLOWABLE IN XCE ONLY—
1. MINIMUM SPACING FROM CENTER OF OPERATOR TO NEAREST FLAT IS 1 1/8.
  2. MINIMUM SPACING BETWEEN 1/2-14 NPSM OPERATOR CENTERS IS 3 1/2 FOR THIS ENCLOSURE.
  3. MAXIMUM NUMBER OF OPERATORS IS 16.
  4. DIMENSION FROM CENTER LINES OF COVER FOR OPERATORS.
  5. DIMENSION FROM CENTER LINE AND BACK OF MTG. LUG FOR CONDUIT.
  6. FOR MTG. ENCLOSURE USE 3/8 BOLT.

<small>DO NOT SCALE DRAWING</small> <small>UNLESS OTHERWISE SPECIFIED DIMENSIONS ARE IN INCHES.</small> <small>CAST TOLERANCES OR DIMENSIONS NOT OTHERWISE SPECIFIED: 1/2" = 1/16" STOCK</small> <small>FILLET OR CORNER RADII 1/8"</small> <small>SHAFT 1/2"</small> <small>FRAC ± 1/16"</small> <small>ANGLES ± 1°</small> <small>MACHINE TOLERANCES ON DIMENSIONS NOT OTHERWISE SPECIFIED: 1/2" = 1/32"</small> <small>1/4" ± .01"</small> <small>1/8" ± .005"</small> <small>EDGE BREAK .005" - .015" R. or 45°</small> <small>ANGLES ± 0-30°</small> <small>GAGING FOR THERMAD HOLE NOT OTHERWISE SPECIFIED: NPSM E-21-1.6</small>	<b>ADALET</b> <small>A SCOTT FETZER COMPANY</small> <small>Enclosure Systems • Cable Accessories</small> <small>NOTICE TO PERSONS RECEIVING THIS DRAWING: ADALET-PLM CLAIMS PROPRIETARY RIGHTS IN THE MATERIAL DISCLOSED HEREON. THIS DRAWING IS ISSUED IN CONFIDENCE FOR EXHAUSTIVE INFORMATION ONLY AND MAY NOT BE REPRODUCED OR USED TO MANUFACTURE ANYTHING SHOWN HEREON WITHOUT EXPRESS WRITTEN PERMISSION FROM ADALET-PLM TO THE USER.</small>	<small>TITLE</small> MODIFIED XCE/XJF 161608 ENCLOSURE FOR <small>DRAWN BY</small> DDH <small>DATE</small> 11-14-01 <small>ENG APPROVAL</small> <small>PLAT SCALE</small> 1=3.5 <small>MFG APPROVAL</small> <small>DWG SIZE</small> D <small>DWG NO</small> TUMBLAST <small>REV</small> 10F1 <small>DATE</small>
---	---	--