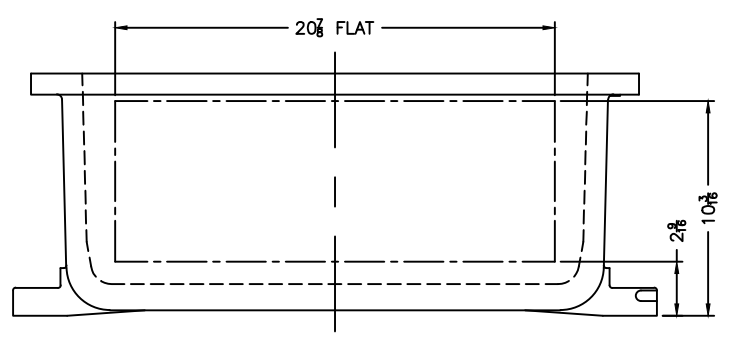


EXISTING GRD. SCREW

XCE 2424 COVER



- NOTES:
- COVER DRILLING ALLOWABLE IN XCE ONLY
1. MINIMUM SPACING FROM CENTER OF OPERATOR TO NEAREST FLAT IS 1 1/8".
  2. MINIMUM SPACING BETWEEN 3/4"-14 NPSM OPERATOR CENTERS IS 3 1/2" FOR THIS ENCLOSURE.
  3. MAXIMUM NUMBER OF OPERATORS IS 36.
  4. DIMENSION FROM CENTER LINES OF COVER FOR OPERATORS.
  5. DIMENSION FROM CENTER LINE AND BACK OF MTG. LUG FOR CONDUIT.
  6. FOR MTG. ENCLOSURE USE 3/8" BOLT.

DO NOT SCALE DRAWING UNLESS OTHERWISE SPECIFIED DIMENSIONS ARE IN INCHES. CAST TOLERANCES ON DIMENSIONS NOT OTHERWISE SPECIFIED: 1/2" = 1/16" STOCK Fillet or corner radii 1/8" DRAFT 1/2" FRAC ± 1/16" ANGLES ± 1°	<b>ADALET</b> A SCOTT FETZER COMPANY Enclosure Systems • Cable Accessories	TITLE MODIFIED XCE/XJF 242410 ENCLOSURE FOR
NOTICE TO PERSONS RECEIVING THIS DRAWING: ADALET-PLM CLAIMS PROPRIETARY RIGHTS IN THE MATERIAL DISCLOSED HEREIN. THIS DRAWING IS ISSUED IN CONFIDENCE FOR ENGINEERING INFORMATION ONLY AND MAY NOT BE REPRODUCED OR USED TO MANUFACTURE ANYTHING SHOWN HEREIN WITHOUT EXPLICIT WRITTEN PERMISSION FROM ADALET-PLM TO THE USER.	DRAWN BY DDH DATE 01-08-02	ENG APPROVAL
MACHINE TOLERANCES ON DIMENSIONS NOT OTHERWISE SPECIFIED: 1/2" = 1/32" 1/16" = .005" JOK ± .010" EDGE BREAK .005" - .015" R. or 45° ANGLES ± 0-30°	MFG APPROVAL	PLANT SCALE 1=4.5
GAGING FOR THERMAID HOLES NOT OTHERWISE SPECIFIED: NPSM E-21-2.5 NPSM E-24-1.0	PERISH TUMBLAST DWG NO XCE/XJF 242410	DWG BASE D
		SET 10F1 REV