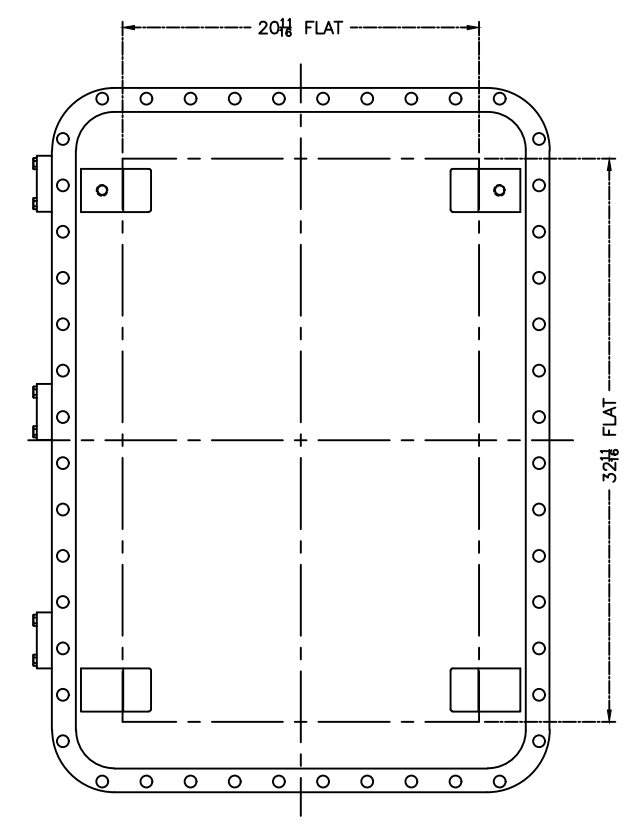
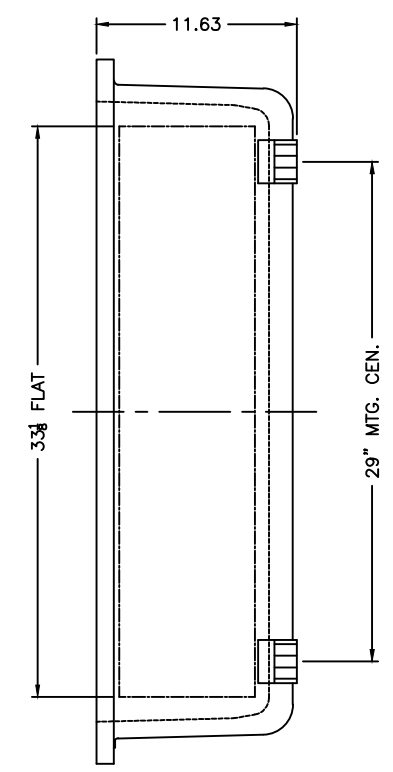
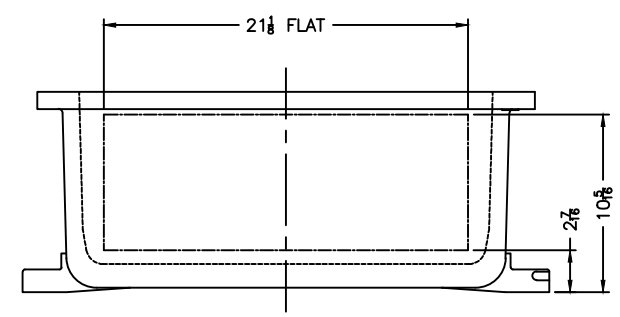


OPTIONAL MTG. PAN



OPTIONAL XHF-3 HINGE



### XCE 2436D COVER

NOTES:

- COVER DRILLING ALLOWABLE IN XCE ONLY
1. MINIMUM SPACING FROM CENTER OF OPERATOR TO NEAREST FLAT IS 1 1/8".
  2. MINIMUM SPACING BETWEEN 1/2"-14 NPSM OPERATOR CENTERS IS 3 1/2" FOR THIS ENCLOSURE.
  3. MAXIMUM NUMBER OF OPERATORS IS 54.
  4. DIMENSION FROM CENTER LINES OF COVER FOR OPERATORS.
  5. DIMENSION FROM CENTER LINE AND BACK OF MTG. LUG FOR CONDUIT.
  6. FOR MTG. ENCLOSURE USE 3/8" BOLT.

<small>DO NOT SCALE DRAWING</small> <small>UNLESS OTHERWISE SPECIFIED DIMENSIONS ARE IN INCHES.</small> <small>CAST TOLERANCES ON DIMENSIONS NOT OTHERWISE SPECIFIED:</small> <small>1/2" - 1/8" STOCK</small> <small>FLAT OR CORNER RADI 1/8"</small> <small>DIM ± 1/32"</small> <small>FRAC ± 1/16"</small> <small>ANGLES ± 1°</small> <small>MACHINE TOLERANCES ON DIMENSIONS NOT OTHERWISE SPECIFIED:</small> <small>1/4" ± .005"</small> <small>1/8" ± .003"</small> <small>1/16" ± .0015"</small> <small>EDGE BREAK .005" - .015" R. or 45°</small> <small>ANGLES ± 0-30°</small> <small>GAGING FOR THERMAD HOLE</small> <small>NOT OTHERWISE SPECIFIED:</small> <small>NPSM E-24-1.0</small>	<b>ADALET</b> <small>A SCOTT FETZER COMPANY</small> <small>Enclosure Systems • Cable Accessories</small>	<small>MODIFIED XCE 243612 ENCLOSURE FOR</small>	
		<small>NOTICE TO PERSONS RECEIVING THIS DRAWING:</small> <small>ADALET-PLM CLAIMS PROPRIETARY RIGHTS IN THE MATERIAL DISCLOSED HEREIN. THIS DRAWING IS ISSUED IN CONFIDENCE FOR ENGINEERING INFORMATION ONLY AND MAY NOT BE REPRODUCED OR USED TO MANUFACTURE ANYTHING SHOWN HEREIN WITHOUT EXPRESS WRITTEN PERMISSION FROM ADALET-PLM TO THE USER.</small>	<small>DRAWN BY</small> AAM <small>DATE</small> 9/17/03 <small>ENG APPROVAL</small> <small>PLDW SCALE</small> 1=5.5 <small>MFG APPROVAL</small> <small>DWG NO</small> D <small>REV</small>
<small>SEE NOTES</small> <small>TUMBLAST</small> <small>XCE 243612</small>	<small>DWG NO</small> <small>SET</small> 10F1 <small>REV</small>		