

CONTROL STATION

Control Station

FEATURES

- Lightweight, corrosion-resistant, copper-free aluminum alloy (0.3% max. copper content).
- All operating shafts are stainless steel for corrosion resistance.
- Durable cast on lugs cannot get lost.
- Ground screw is highly visible and accessible.
- Uniform wall thickness (not ribbed) for versatility of conduit openings assuring 5 full threads engagement and maximum available area for conduit drilling and tapping.
- Operators may be mounted through back wall for panel mounting.
- Box depth provides for the stacking of 2 contact blocks.
- Anodized aluminum operators install easily in the field.

TABLE A2 - CONTROL STATION BOXES

# of Operators	Surface Mount	Panel Mount*	Std. Cond. Size (in.)
1	X1	X1P	¾
2	X2	X2P	¾
3	X3	X3P	¾
4	X4	X4P	1
5	X5	X5P	1¼
6	X6	X6P	1¼
7	X7	X7P	1¼
8	X8	X8P	1¼
12	X12	X12P	1½
15	X15	X15P	1½
18	X18	X18P	1½

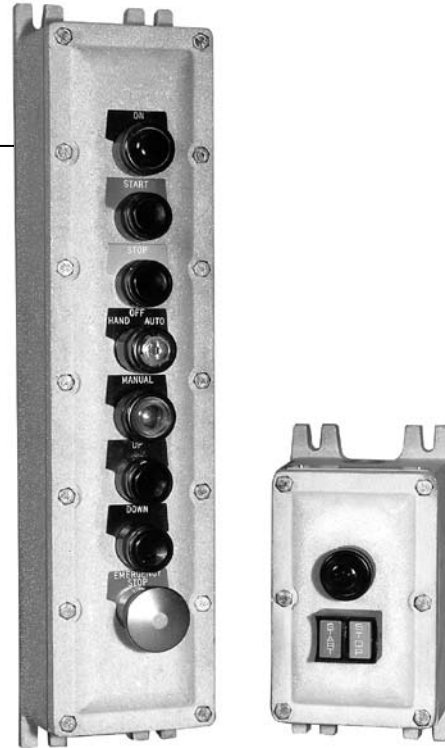
***Panel Mount:** Operators mounted in back, add P to operator suffix.

Surface Mount: Operators mounted in cover.

NOTE: All operator holes are ¾" - 14 NPSM

TABLE B2 - PILOT LIGHTS & LIGHTED PUSHBUTTON

Lens Color	SUFFIX NOS. FOR PILOT LIGHTS		
	Guarded Candleabra Base	Guarded Slide Base	Lighted Pushbutton** Unguarded
Amber	337	343	30
Blue	338	344	35
Clear	339	345	40
Green	340	346	45
Red	341	347	50
White	342	348	55



Certifications

Class I, Groups C & D

Class II, Groups E, F & G

Class III

UL Standard 698

CSA Standard C22.2 No. 30

For NEMA 4 or special machining options-see XIFC Series

**CSA certified products require guarded pilot devices

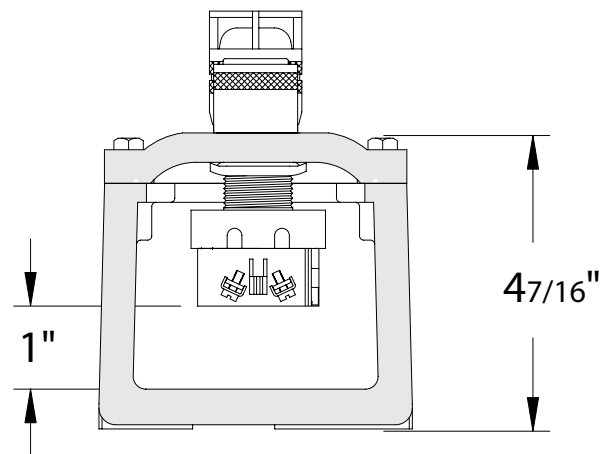
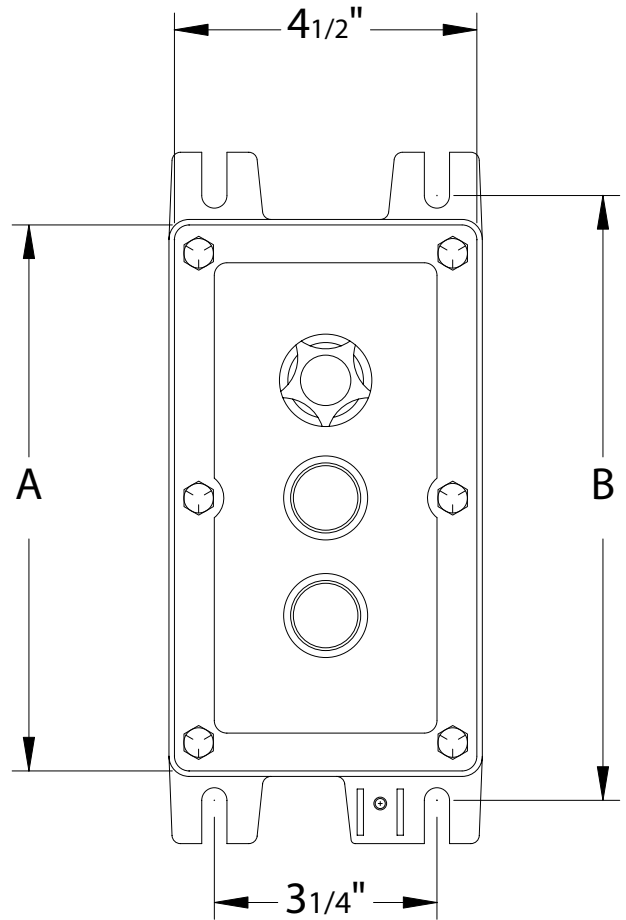


CONTROL STATION

Control Station

DIMENSIONS					
Enclosure	Nom. Inside Dimensions	Dimensions (in.)		Est. Weight (lbs.)	Std. Conduit* Size (in.)
		A	B		
X1	030303	4 1/2	5 1/2	5	3/4
X2	030603	7 1/16	8	7	3/4
X3	030703	8 1/8	9	8	3/4
X4	030903	10 1/16	11	10	1
X5	031103	12 1/16	13	11	1 1/4
X6	031303	14 1/16	15	12	1 1/4
X7	031503	16	17	13	1 1/4
X8	031803	19	20	16	1 1/4
X12	032403	25 1/16	26	21	1 1/2
X15	033003	31 1/8	32 1/8	28	1 1/2
X18	033603	37 1/4	38 1/8	33	1 1/2

Control Stations have conduit openings centered on top and bottom.
 *Consult factory for other conduit sizes.



PUSH BUTTONS

Explosionproof & Dust-Tight Push Buttons

Class I, Groups B, C & D
Class II, Groups E, F & G
NEMA 3, 4, 7 & 9

FEATURES

- All operators are die cast aluminum alloy. The barrels are all 3/4" NPSM thread. Maximum installation thickness 1 3/4" panel mount, 3/4" surface mount.
- Black molded nylon buttons. The exposed metal parts are black anodized aluminum. For color coding we will furnish at no additional cost the following color combinations: Red buttons with red metal caps and green buttons with green metal caps. Metal caps are also available in blue, gold or clear with black buttons. Specify colors required.
- Red Mushroom head buttons are 1 3/4" diameter anodized aluminum. Also available in black or green.
- XHPBPL has padlock attachment on top of cap allowing operator to be locked with the push button depressed.
- For use with BT contact blocks. Contact blocks can be stacked for multiple circuits. Contact blocks are not included with the operators.
- XHPPM/XHPPMS require 2" minimum spacing.
- XHPB pushbuttons are momentary.
- **XHPP pushbuttons are maintained.**

FOR USE WITH SERIES BT CONTACT BLOCKS		
Catalog #	Operator Description	Weight (lbs.)
XHPB	Panel Mount	1/2
XHPBS	Surface Mount	1/2
XHPBM	Red Mushroom Head, Panel Mount	1/2
XHPBMS	Red Mushroom Head, Surface Mount	1/2
XHPBPL	W/Padlock devices, Panel Mount	3/4
XHPBSPL	W/Padlock devices, Surface Mount	3/4
XHPPM*	Push/Pull switches, Panel Mount	3/4
XHPPMS*	Push/Pull switches, Surface Mount	3/4

*Type BT1 contact blocks are included

LEGEND PLATES AT END OF SECTION

NOTE For extremely wet-dirty location applications, XHPB and XHPBS series are available to be used with protective boots.



XHPB



XHPBS



XHPBM



XHPBMS



XHPPM



XHPPMS



XHPBPL



XHPBSPL