

NEMA TYPE 4X JIC

JN4XSS Series

Lift-Off Clamped Cover Enclosure

Adalet's JN4XSS series wall-mounted JIC enclosures are designed to provide protection, indoors and outdoors, against dust, dirt, oil and water for items such as pneumatic or hydraulic instruments, transformers, and junction wiring. These enclosures are suitable for use in areas such as petrochemical plants, dairies, breweries, food processing areas and similar environments where they are subject to frequent high pressure hosing and generally wet conditions. They are also designed for use in areas where severe corrosion problems exist. Type 316L stainless steel enclosures are also suitable for use in offshore applications.

STANDARD FEATURES

- Wall mounting flange / feet
- Watertight urethane gasket
- Stainless steel clamps and screws
- Four #10-32 weld nuts for optional mounting panel
- Grounding studs on inside of box and cover

DESIGN OPTIONS

- Painted steel and stainless steel mounting panels
- Laser cut entries or cut-outs
- Terminal blocks or other component assembly
- Swing panel / dead front panel
- Padlock provisions
- Quick release latches
- Epoxy paint or powder coating
- Custom sizes
- 12 gauge material thickness

MATERIAL

- 12 and 14 gauge / Type 304 or 316L stainless steel
- Stainless steel hardware
- #3 / #4 brushed finish



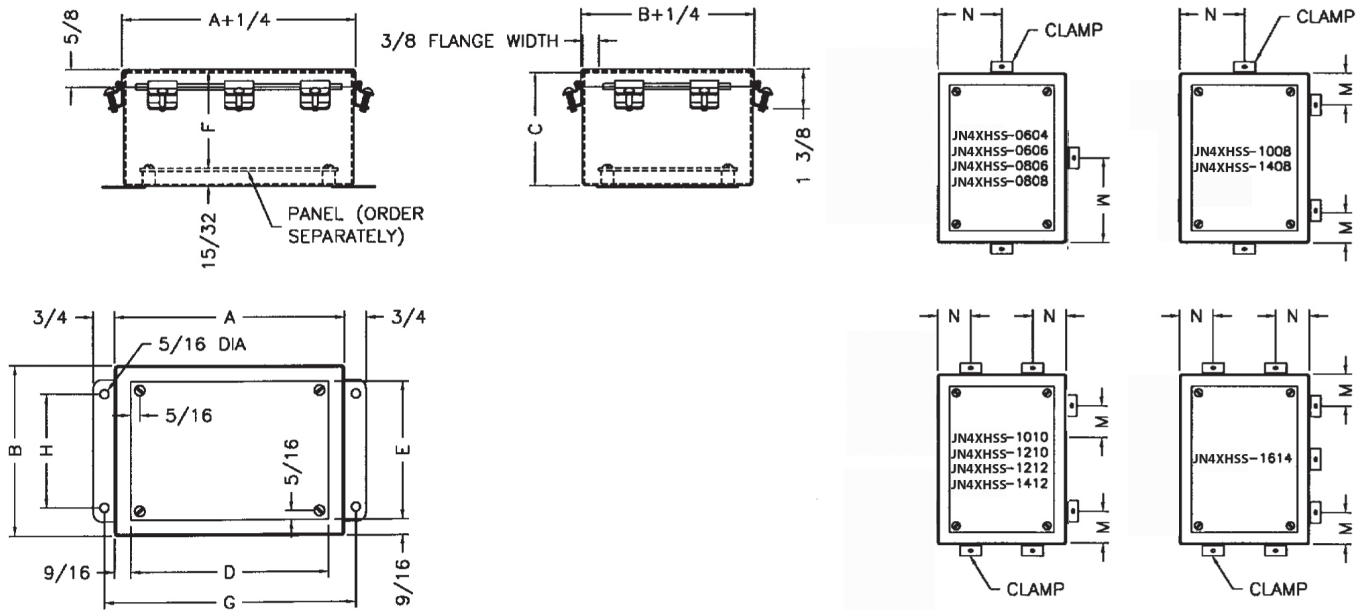
CERTIFICATIONS

NEMA Type 3, 3R, 4, 4X, 12 & 13
UL50
cULus Listed



NEMA TYPE 4X JIC

STAINLESS STEEL ENCLOSURES



STAINLESS STEEL 304 or 316L

JN4X-JIC Wallmount, Single Door Enclosure - Continuous Hinge / Clamped Cover / Mounting Tabs

CAT. NUMBER	GAUGE	OUTSIDE DIM.			MOUNTING		CLAMPS		CLAMP QTY	SHIPPING WT. (LBS)	PANEL PART NO.	PANEL DIMENSIONS		
		A	B	C	G	H	M	N				D	E	F
JN4XSS-060403	16	6	4	3	6.75	2.00	3.00	2.00	3	3.2	06P04	4.88	2.88	2.55
JN4XSS-060404	16	6	4	4	6.75	2.00	3.00	2.00	3	3.5	06P04	6.88	4.88	3.55
JN4XSS-060604	16	6	6	4	6.75	4.00	3.00	3.00	3	4.5	06P06	4.88	2.88	3.55
JN4XSS-080604	14	8	6	4	8.75	4.00	4.00	3.00	3	5.3	08P06	4.88	4.88	3.55
JN4XSS-080804	14	8	8	4	8.75	6.00	4.00	4.00	3	6.2	08P08	6.88	6.88	3.55
JN4XSS-100804	14	10	8	4	10.75	6.00	1.63	4.00	4	8.7	10P08	6.88	6.88	3.55
JN4XSS-121005	14	12	10	5	12.75	8.00	3.63	2.63	6	13	12P10	8.88	6.88	4.55
JN4XSS-080606	14	8	6	6	8.75	4.00	4.00	3.00	3	6.2	08P06	10.88	8.88	5.55
JN4XSS-080806	14	8	8	6	8.75	6.00	4.00	4.00	3	20	08P08	6.88	6.88	5.55
JN4XSS-100806	14	10	8	6	10.75	6.00	1.63	4.00	4	11.2	10P08	8.88	6.88	5.55
JN4XSS-101006	14	10	10	6	10.75	8.00	1.63	2.63	6	13.5	10P10	8.88	8.88	5.55
JN4XSS-121006	14	12	10	6	12.75	8.00	3.63	2.63	6	15	12P10	10.88	8.88	5.55
JN4XSS-121206	14	12	12	6	12.75	10.00	3.63	3.00	6	17.5	12P12	10.88	10.88	5.55
JN4XSS-140806	14	14	8	6	14.75	6.00	3.63	4.00	4	17.7	14P08	12.88	6.88	5.55
JN4XSS-141206	14	14	12	6	14.75	10.00	3.63	3.00	6	18.1	14P12	12.88	10.88	5.55
JN4XSS-161406	14	16	14	6	16.75	12.00	1.63	4.13	7	22.1	16P14	14.88	12.88	5.55
JN4XSS-121008	14	12	10	8	12.75	8.00	3.63	2.63	6	21.8	12P10	10.88	8.88	7.55
JN4XSS-141208	14	14	12	8	14.75	10.00	3.63	4.13	6	19.1	14P12	12.88	10.88	7.55
JN4XSS-161408	14	16	14	8	16.75	12.00	1.63	4.13	7	26.7	16P14	14.88	12.88	7.55
JN4XSS-161410	14	16	14	10	16.75	12.00	1.63	4.13	7	27.1	16P14	14.88	12.88	9.55
JN4XSS-202010	14	20	20	10	20.75	18.00	3.63	3.63	9	48	20P20	18.88	18.88	9.55

NOTE For Type 316L stainless steel enclosures, add 6 after SS. (i.e. JN4XHSS6)

Measurements in inches

* All JN4XHSS6 316L boxes and covers are 14 gauge

SEND ORDERS TO ORDERS@ADALET.COM

T: 216.267.9000 | F: 216.267.1681 | info@adalet.com

©Adalet