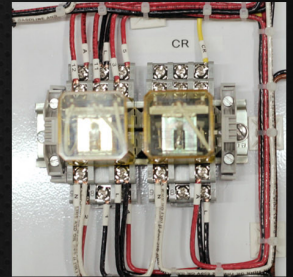
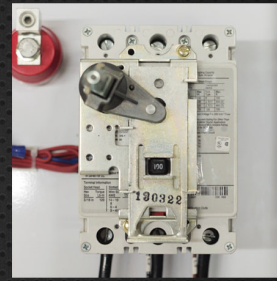


FUSIBLE SHUNT TRIP



UL 508A ASSEMBLY
USING EATON PRODUCTS



A Shunt trip disconnect designed as a simple economic solution that complies with code requirements

STANDARD FEATURES & BENEFITS

- 3 Phase Fused Power Switch
- Shunt Trip 120V
- Ground Lug Per NEC
- Key to Test Switch - 120V with Legend Plate
- Fire Safety Interface Relay
- Fire Alarm Voltage Monitoring Relay
- Control Power Transformer with Fuse and Blocks
- Mechanically Interlocked Auxiliary Contacts
- Pilot Light -120V Clear LED *(Color option available)
- Padlockable Handle for Service Work Safety

OPTIONAL FEATURES

- Nema 3, 4, 12 & 4X Enclosures
- Pilot Lights available in Red, Green or White
- Isolated Neutral Lug, 100 or 200 Amp

- **Typical Applications:**
- Elevator Disconnect
- Building Emergency Systems
- Computer Room Shunt Trip



Authorized Distributor

•Fuseco Inc.

•Pricing & Availability: 1-800-234-3873

•Technical Services: 918-665-6888

FUSIBLE SHUNT TRIP

UL 508A ASSEMBLY
USING EATON PRODUCTS

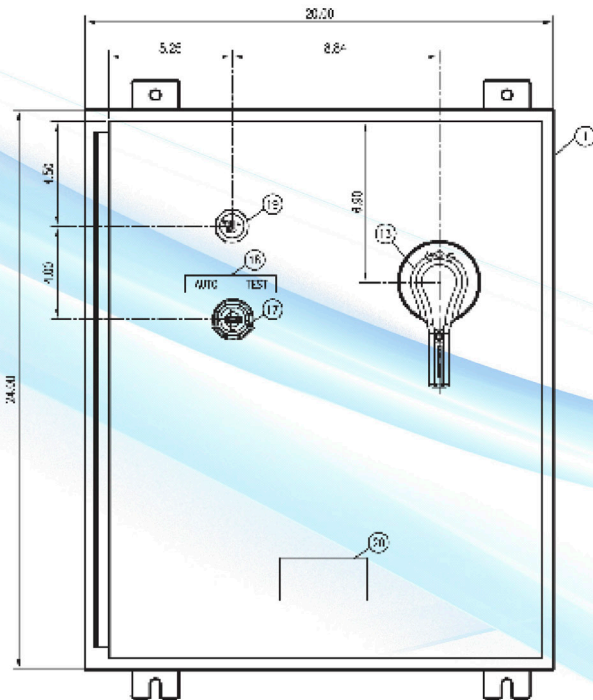
STS 1		T48		R1		K		W		N1		X	F1			
NEMA 7 SWITCH CATALOG NUMBER		CONTROL POWER TRANSFORMER 100 VA*		FIRE SAFETY RELAY - 3PDT 10A		KEY TO TEST SWITCH		PILOT LIGHT "ON"		ISOLATED NEUTRAL LUG		AUX CONTACTS STD "A" & "B" OPTIONS ARE INCLUDED**	FIRE ALARM VOLTAGE MONITORING RELAY		ENCLOSURE OPTIONS NEMA 1 STANDARD	
CATALOG	AMP RATING	RATING	OPTION CODE	RATING	OPTION CODE	RATING	OPTION CODE	RATING	OPTION CODE	RATING	OPTION CODE	RATING	RATING	OPTION CODE	RATING	OPTION CODE
STS 3	30 A	208V	T20	120 VAC	R1	120 V	K	RED	R	30-60A	N6	1 NO & 1 NC	1 POLE	F1	NEMA 3R	U
STS 6	60 A	240V	T24	24 VDC	R2			GREEN	G	100A	N1	2 NO & 2 NC	3 POLE	F3***	NEMA 4	Y
STS 1	100 A	480V	T48					WHITE	W	200A	N2	"X"			NEMA 12	Z
STS 2	200 A	600V	T60									BOTH SETS				
STS 4	400 A															

* 100VA with primary fusing (120v secondary)

** Combination of contacts and alarm switch. "A" is a set of contacts mechanically to the main switch. These contacts are used to enable or disable the Battery Lowering Device for maintenance per NFPA code. The "B" contacts are two sets of auxiliary contacts (double pole, double throw) that are also mechanically interlocked to the main switch and are generally used to monitor the status of the switch. Contact logic is shown below.

*** For use only with R1 option (double pole, double throw)

DRAWING REFLECTS 30 - 100 AMP ENCLOSURES ONLY



"A" & "B" Contact Logic

Main Switch Position	"A" Contacts		"B" Contacts	
	NO	NC	NO	NC
Closed	O	C	O	C
Tripped	C	C	O	C
Open	C	O	C	O

RATINGS:

VOLTS: 600 AC

AMPS: 30A, 60A, 100A, 200A & 400A

APPROVALS:

- UL 98 Enclosed Molded Case Switch
- UL 50 Enclosure
- UL/cUL Listed Control Panel

RECOMMENDED FUSE USAGE

STS Series . . . use with AJT, A4J, HSJ



Authorized Distributor

- Fuseco Inc.
- Pricing & Availability: 1-800-234-3873
- Technical Services: 918-665-6888
- www.nema7.com