

XCE SERIES & XJF**XCE: Explosionproof Control Enclosures****XCEX: Flameproof Control Enclosures****XCEQ: Explosionproof Quad-Lead Control Enclosures****XJF: Explosionproof Junction Boxes****STANDARD FEATURES**

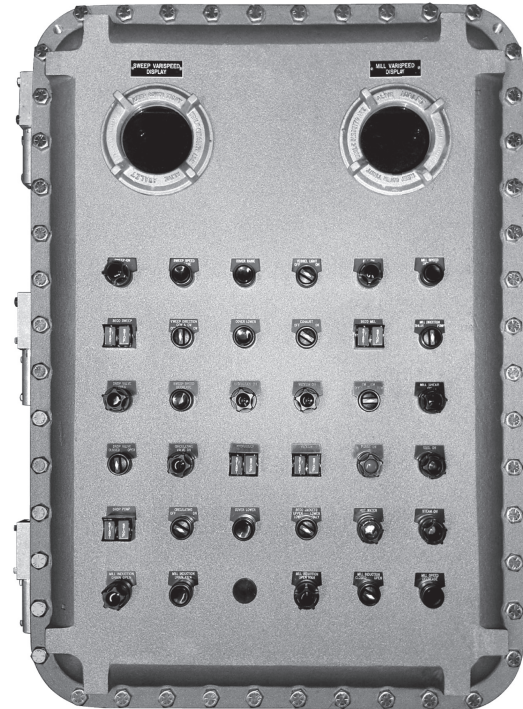
- 75 standard sizes available
- Corrosion resistant, copper free aluminum (¾ of 1%)
- Pre-drilled hinge holes (hinge optional)
- Pre-drilled mounting panel bosses (mounting panel optional)
- NEMA 4 watertight gasket
- Premium, high strength steel cover bolts (zinc plated and coated)
- Internal / external grounding screws
- Removable lifting eye bolts (18x24 and larger)
- Lid-lifter cover alignment device (18x24 and larger)
- Cast-on mounting lugs / feet
- Tumbleblast, natural aluminum finish

DESIGN OPTIONS

- Stainless steel cover bolts for NEMA 4X corrosion protection
- Mounting panels - Available in galvanized steel (XSM) or aluminum (XSA)
- Aluminum hinge kits with stainless steel hardware
- Conduit (NPT & metric) and device (NPSM) drilling & tapping
- Operators and auxiliary devices such as breather / drains and flame arrestors
- Quad lead, quick thread cover bolts (designate XCEQ when ordering, not available on XCEX)
- Window kits - Round (up to 8" viewing diameter or square/rectangular (up to 13" x 13"))
- Custom machining - Milling, counter-boring, spot-facing, blind drilled entries, chamfers
- Panel assembly / population
- Custom cast-on logos
- Powder and epoxy coating for additional corrosion resistance
- Special mounting provisions
- Captive bolt retainer plate

MATERIAL

- Enclosure - Copper free aluminum (¾ of 1%)
- Cover Bolts - Steel, zinc plated and coated

**CERTIFICATIONS****XCE Series:**

Class I, Division 1, Gas Groups BCD	UL 1203
Class II, Division 1, Gas Groups EFG	CSA C22.2 No. 30
Class III	UL 50
NEMA Type 4, 7, 9	
NEMA Type 4X (w/ SS cover bolts)	

XCEX Series:

Class I, Division 1, Gas Groups BCD	UL 1203
Class II, Division 1, Gas Groups EFG	CSA C22.2 No. 30
Class III	UL 50
NEMA Type 4, 7, 9	
NEMA Type 4X (w/ SS cover bolts)	
Class I, Zone 1, AExd IIB	UL 60079-0 / UL 60079-1
Exd IIB	CSA 60079-0 / CSA 60079-1
CE 0539 Ex II 2GD (Optional)	EN 60079-0 / EN 60079-1
IP66	IEC 60529
NEMA Type 4X (w/ N4X suffix)	

Certifications

XJF: Explosionproof Junction Boxes

CERTIFICATIONS

Class I, Division 1, Gas Groups B*,C, D
 Class II, Division 1, Gas Groups E, F, G
 NEMA Type 4 (with N4 suffix)

*N4 suffix may affect Group B approval, consult factory



LISTED 437S



XCE/XCEQ: Explosionproof / Quad-Lead Enclosures

CERTIFICATIONS

Class I, Division 1, Gas Groups B*,C, D
 Class II, Division 1, Gas Groups E, F, G
 Class III
 NEMA Type 4 (with N4 suffix)
 NEMA Type 4X (w/SS cover bolts)

*Specify Group B if required w/N4 suffix



XCEX: Flameproof Enclosures

CERTIFICATIONS

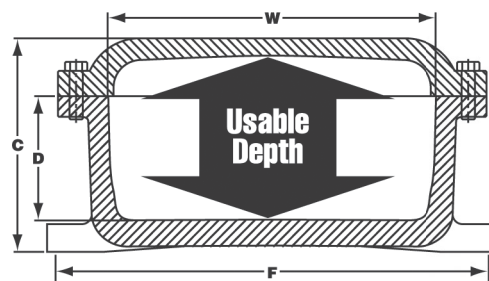
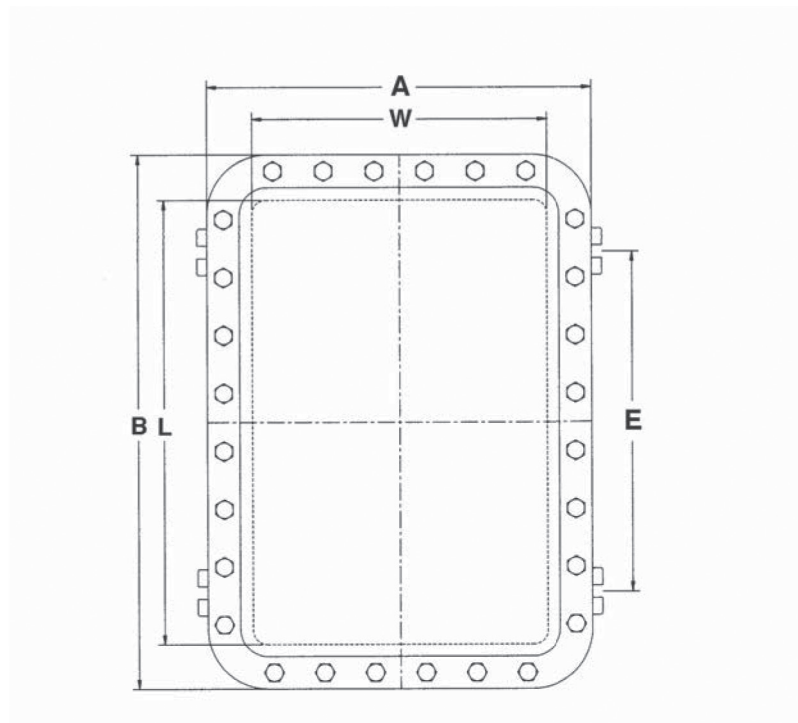
Class I, Division 1, Gas Groups B*,C, D
 Class II, Division 1, Gas Groups E, F, G
 Class III
 Class I, Zone 1, AEx d IIB
 Ex d IIB
 Epsilon 07 ATEX 2251U
 CE 0539 Ex II 2GD Ex d II B
 Ex d IIB+H2 (Optional)*
 Ex tD A21: IP 66

NEMA Type 4 (with N4 suffix)
 NEMA Type 4X (w/SS cover bolts)
 IECEx UL 10.0046U
 Exd IIB Gb
 Extd A21 / IP66
 DEMKO 01 ATEX 01294724
 Ex II 2 G Exd IIB Gb
 Ex II 2 D Extd A21
 IP66

* Specify ATEX / IECEx if required



NOTE: Where reference is made to Class I and Class II hazardous locations, the equipment is suitable for both Div. 1 and Div. 2 locations.

**DESIGN OPTIONS****Mounting Panels**

- Steel: (XSM) Galvanized 12 gauge steel plate. The catalog number includes the steel mounting pan complete with 1/4" high spacers and stainless steel mounting screws.
- Aluminum: (XSA) consult factory for availability.

- NOTE**
1. No installation charge when customer specifies factory installation of mounting pan.
 2. Enclosures are pre-drilled for mounting panel unless otherwise specified.

Hinge Kits

Made of extruded aluminum alloy consisting of two sections, female and male (with stainless steel pin) and four stainless steel hex head bolts. Designed to allow right or left hand removable or non-removable installation.

Unless specified, left hand removable hinge installation will be furnished by factory when hinged enclosures are ordered.

- NOTE**
1. Catalog number represents complete hinge sets necessary for enclosure assembly.
 2. Enclosures are pre-drilled for hinge kits unless otherwise specified.
 3. Hinges are left side removable standard

XCE Series																
CAT. NUMBER XCE or XJF	INSIDE NOM. DIM.			USABLE DEPTH	OVERALL DIM.			MTG LUG E F		MTG BOLT SIZE	SHIPPING WT. (LBS)	PANEL PART NO.		PANEL DIM. X Y		HINGE CAT#
-041604	4	16	4	4 3/4	7 1/4	19 1/4	6	12 1/8	6 3/4	3/8	25	XSM0416	XSA0416	3 1/4	15 1/4	XHB-2
-060804	6	8	4	4 5/8	9 1/4	11 1/4	5 15/16	4 1/2	9 1/8	3/8	21	XSM0608	XSA0608	5 1/8	7 1/8	XHB-2
-060805	6	8	5	5 5/8	9 1/4	11 1/4	6 15/16	4 1/2	9 1/8	3/8	23	XSM0608	XSA0608	5 1/8	7 1/8	XHB-2
-060806	6	8	6	6 3/8	9 1/4	11 1/4	7 15/16	4 1/2	9 1/8	3/8	25	XSM0608	XSA0608	5 1/8	7 1/8	XHB-2
-061105	6	11	5	5 7/8	9 1/4	14 1/4	7 3/16	7 1/2	9 1/8	3/8	24	XSM0611	XSA0611	5 1/8	10 1/8	XHB-2
-061204	6	12	4	4 3/4	9 1/4	15 1/4	6 1/16	8 1/2	9 1/8	3/8	24	XSM0612	XSA0612	5 1/8	11 1/8	XHB-2
-061206	6	12	6	6 3/4	9 1/4	15 1/4	8 1/16	8 1/2	9 1/8	3/8	29	XSM0612	XSA0612	5 1/8	11 1/8	XHB-2
-061305	6	13	5	5 7/8	9 1/4	16 1/4	7 3/16	9 1/2	9 1/8	3/8	26	XSM0613	XSA0613	5 1/8	12 1/8	XHB-2
-071004	7	10	4	4 3/4	10 3/8	13 3/8	6 3/16	6 1/2	9 3/4	3/8	27	XSM0710	XSA0710	6 1/8	9 1/8	XHB-2
-071006	7	10	6 1/8	6 3/4	10 3/8	13 3/8	8 3/16	6 1/2	9 3/4	3/8	31	XSM0710	XSA0710	6 1/8	9 1/8	XHB-2
-071805	7	18	5	5 3/4	10 3/8	21 3/8	7 3/16	14 1/2	9 3/4	3/8	55	XSM0718	XSA0718	6 1/8	17 3/8	XHB-2
-080804	8	8	4	4 13/16	11 3/8	11 3/8	6 3/16	4 1/4	11	3/8	24	XSM0808	XSA0808	7	7	XHB-2
-080806	8	8	6	6 13/16	11 3/8	11 3/8	8 3/8	4 1/4	11	3/8	28	XSM0808	XSA0808	7	7	XHB-2
-080808	8	8	8	8 13/16	11 3/8	11 3/8	10 3/8	4 1/4	11	3/8	35	XSM0808	XSA0808	7	7	XHB-2
-081004	8	10	4	4 3/4	11 3/8	13 3/8	6 1/4	6 1/2	10 3/4	3/8	30	XSM0810	XSA0810	7	9 1/8	XHB-2
-081006	8	10	6	6 3/4	11 3/8	13 3/8	8 1/4	6 1/2	10 3/4	3/8	34	XSM0810	XSA0810	7	9 1/8	XHB-2
-081008	8	10	8	8 3/4	11 3/8	13 3/8	10 1/4	6 1/2	10 3/4	3/8	39	XSM0810	XSA0810	7	9 1/8	XHB-2
-081204	8	12	4	4 3/4	11 3/8	15 3/8	6 1/4	8 1/2	10 3/4	3/8	34	XSM0812	XSA0812	6 7/8	10 7/8	XHB-2
-081206	8	12	6	6 3/4	11 3/8	15 3/8	8 1/4	8 1/2	10 3/4	3/8	42	XSM0812	XSA0812	6 7/8	10 7/8	XHB-2
-081208	8	12	8	8 3/4	11 3/8	15 3/8	10 1/4	8 1/2	10 3/4	3/8	48	XSM0812	XSA0812	6 7/8	10 7/8	XHB-2
-091105	9	11	5	5 3/4	12 3/8	14 3/8	7 3/16	7 1/2	12	3/8	41	XSM0911	XSA0911	8	10	XHB-2
-101004	10	10	4	4 3/4	13 3/8	13 3/8	6 5/16	6 1/2	13	3/8	34	XSM1010	XSA1010	8 7/8	8 7/8	XHB-2
-101006	10	10	6	6 3/4	13 3/8	13 3/8	8 3/16	6 1/2	13	3/8	44	XSM1010	XSA1010	8 7/8	8 7/8	XHB-2
-101008	10	10	8	8 3/4	13 3/8	13 3/8	10 5/16	6 1/2	13	3/8	50	XSM1010	XSA1010	8 7/8	8 7/8	XHB-2
-101206	10	12	6 1/4	7 1/4	13 3/8	15 3/8	8 7/8	8 1/2	13	3/8	46	XSM1012	XSA1012	10 7/8	8 7/8	XHB-2
-101404	10	14	4	4 3/4	13 3/8	17 3/8	6 7/16	10 5/8	13	3/8	42	XSM1014	XSA1014	8 7/8	12 7/8	XHB-2
-101406	10	14	6	6 3/4	13 3/8	17 3/8	8 7/16	10 5/8	13	3/8	49	XSM1014	XSA1014	8 7/8	12 7/8	XHB-2
-101408	10	14	8	8 3/4	13 3/8	17 3/8	10 1/2	10 5/8	13	3/8	57	XSM1014	XSA1014	8 7/8	12 7/8	XHB-2
-101410	10	14	10	10 3/4	13	17 3/8	12 1/2	10 5/8	13	3/8	62	XSM1014	XSA1014	8 7/8	12 7/8	XHB-2
-121204	12	12	4	5	16 1/4	16 1/4	6 15/16	8 5/8	16	1/2	60	XSM1212	XSA1212	10 7/8	10 7/8	XHC-2
-121206	12	12	6	7	16 1/4	16 1/4	8 15/16	8 5/8	16	1/2	68	XSM1212	XSA1212	10 7/8	10 7/8	XHC-2
-121208	12	12	8	9	16 1/4	16 1/4	10 15/16	8 5/8	16	1/2	80	XSM1212	XSA1212	10 7/8	10 7/8	XHC-2
-121804	12	18	4	4 3/4	16 1/4	22 1/4	6 3/4	14 1/8	16	1/2	85	XSM1218	XSA1218	10 1/2	16 1/2	XHC-2
-121806	12	18	6	6 3/4	16 1/4	22 1/4	8 3/4	14 1/8	16	1/2	93	XSM1218	XSA1218	10 1/2	16 1/2	XHC-2
-121808	12	18	8	8 3/4	16 1/4	22 1/4	10 3/4	14 1/8	16	1/2	101	XSM1218	XSA1218	10 1/2	16 1/2	XHC-2
-122005	12	20	5	5 3/4	16 1/4	24 1/4	8 1/8	14 3/8	16	1/2	104	XSM1220	XSA1220	11	19	XHC-2
-122404	12	24	4	4 15/16	16 1/4	24 1/4	7 1/4	18 3/8	16	1/2	115	XSM1224	XSA1224	11	23	XHC-2
-122406	12	24	6	6 15/16	16 1/4	28 1/4	9 1/4	18 3/8	16	1/2	127	XSM1224	XSA1224	11	23	XHC-2
-122408	12	24	8	8 15/16	16 1/4	28 1/4	11 1/4	18 3/8	16	1/2	142	XSM1224	XSA1224	11	23	XHC-2
-122410	12	24	10	10 15/16	16 1/4	28 1/4	13 1/4	18 3/8	16	1/2	154	XSM1224	XSA1224	11	23	XHC-2

Information is subject to change without notice

Measurements in inches

NOTES

- To indicate Quad-Lead bolt option, add suffix "Q" after XCE. (Not available on XCEX models.)
- Operators, windows and hinges are ordered separately.
- Ex d approval optional on XCEX series only.
- To indicate Type 4 / IP66 option, add suffix "N4" after size (catalog number)
- Where reference is made to Class I and Class II hazardous locations, the equipment is suitable for both Div. 1 and Div. 2 locations.
- Enclosures are pre-drilled for mounting panel and hinge kit unless otherwise specified.

XCE SERIES & XJF

EXPLOSIONPROOF ENCLOSURES

XCE Series																
CAT. NUMBER XCE or XJF	INSIDE NOM. DIM.			USABLE DEPTH	OVERALL DIM.			MTG LUG E F		MTG BOLT SIZE	SHIPPING WT. (LBS)	PANEL PART NO.		PANEL DIM. X Y		HINGE CAT#
-123006	12	30	6	6 1/16	16 3/4	34 1/4	9 5/8	23	16	1/2	180	XSM1230	XSA1230	10 3/4	28 3/4	XHC-2
-123604	12	36	4	4 15/16	16 1/4	40 1/4	7 11/16	29	16	1/2	200	XSM1236	XSA1236	10 3/4	34 3/4	XHC-3
-123606	12	36	6	6 15/16	16 1/4	40 1/4	9 11/16	29	16	1/2	212	XSM1236	XSA1236	10 3/4	34 3/4	XHD-3
-123608	12	36	8	8 15/16	16 1/4	40 1/4	11 11/16	29	16	1/2	232	XSM1236	XSA1236	10 3/4	34 3/4	XHD-3
-124608	12	46	8	8 15/16	16 1/4	50 1/4	11 11/16	39	16	5/8	280	XSM1246	XSA1246	10 3/4	44 3/4	XHD-4
-141404	14	14	4	5	18 1/4	18 1/4	7 7/8	9 3/4	17 3/4	1/2	91	XSM1414	XSA1414	12 7/8	12 7/8	XHC-2
-141406	14	14	6	7	18 1/4	18 1/4	9 1/4	9 3/4	17 3/4	1/2	97	XSM1414	XSA1414	12 7/8	12 7/8	XHC-2
-141408	14	14	8	9	18 1/4	18 1/4	11 1/8	9 3/4	17 3/4	1/2	103	XSM1414	XSA1414	12 7/8	12 7/8	XHC-2
-142210	14	22	10	11 1/4	18 1/4	26 1/4	13 3/8	16 1/2	17 3/4	1/2	181	XSM1422	XSA1422	12 7/8	20 7/8	XHD-2
-142213	14	22	13	13	18 1/4	26 1/4	15 1/8	16 1/2	17 3/4	1/2	235	XSM1422	XSA1422	12 7/8	20 7/8	XHD-2
-142806	14	28	6	7 13/16	18 1/4	32 1/4	9 9/16	22 1/2	17 3/4	1/2	120	XSM1428	XSA1428	12 7/8	26 7/8	XHF-2
-161604	16	16	4	5 3/8	20 7/8	20 7/8	7 15/16	11	19 3/4	5/8	123	XSM1616	XSA1616	14 3/4	14 3/4	XHD-2
-161606	16	16	6	7 3/8	20 7/8	20 7/8	9 15/16	11	19 3/4	5/8	135	XSM1616	XSA1616	14 3/4	14 3/4	XHD-2
-161608	16	16	8	9 3/8	20 7/8	20 7/8	11 15/16	11	19 3/4	5/8	156	XSM1616	XSA1616	14 3/4	14 3/4	XHD-2
-162406	16	24	6	7 13/16	20 7/8	28 7/8	10 3/8	18 3/8	19 3/4	5/8	109	XSM1624	XSA1624	14 1/2	22 1/2	XHF-2
-162408	16	24	8	9 13/16	20 7/8	28 7/8	12 3/8	18 3/8	19 3/4	5/8	209	XSM1624	XSA1624	14 1/2	22 1/2	XHF-2
-162410	16	24	10	11 13/16	20 7/8	28 7/8	14 3/8	18 3/8	19 3/4	5/8	225	XSM1624	XSA1624	14 1/2	22 1/2	XHF-2
-162806	16	28	6	6 13/16	20 1/2	32 1/16	9 1/2	22 1/2	19 3/4	5/8	220	XSM1628	XSA1628	26 1/2	14 1/2	XHF-2
-163406	16	34	6	6 15/16	20 1/2	38 1/2	9 1/2	27	19 3/4	5/8	277	XSM1634	XSA1634	14 1/2	28 1/2	XHF-2
-164610	16	46	10	11 13/16	20 7/8	50 7/8	14 9/16	39	19 3/4	5/8	390	XSM1646	XSA1646	14 1/2	44 1/2	XHF-4
-181804	18	18	4	5 13/16	22 7/8	22 7/8	8 1/2	13	21 3/4	5/8	154	XSM1818	XSA1818	16 3/4	16 3/4	XHF-2
-181806	18	18	6	7 13/16	22 7/8	22 7/8	10 1/2	13	21 3/4	5/8	177	XSM1818	XSA1818	16 3/4	16 3/4	XHF-2
-181808	18	18	8	9 13/16	22 7/8	22 7/8	12 1/2	13	21 3/4	5/8	200	XSM1818	XSA1818	16 3/4	16 3/4	XHF-2
-182406	18	24	6	7 7/16	22 7/8	28 7/8	10 3/16	18 3/8	21 3/4	5/8	226	XSM1824	XSA1824	16 1/2	22 1/2	XHF-2
-182408	18	24	8	9 7/16	22 7/8	28 7/8	12 13/16	18 3/8	21 3/4	5/8	239	XSM1824	XSA1824	16 1/2	22 1/2	XHF-2
-182410	18	24	10	11 7/16	22 7/8	28 7/8	14 13/16	18 3/8	21 3/4	5/8	260	XSM1824	XSA1824	16 1/2	22 1/2	XHF-2
-183008	18	30	8	9 3/8	22 7/8	34 7/8	12 13/16	23	21 3/4	5/8	293	XSM1830	XSA1830	16 1/2	28 1/2	XHF-2
-183608	18	36	8	9 3/8	22 7/8	40 7/8	12 7/8	29	21 3/4	5/8	318	XSM1836	XSA1836	16 1/2	34 1/2	XHF-3
-183610	18	36	10	11 3/8	22 7/8	40 7/8	14 7/8	29	21 3/4	5/8	340	XSM1836	XSA1836	16 1/2	34 1/2	XHF-3
-242408	24	24	8	9 7/16	28 7/8	28 7/8	12 7/16	18 3/8	28	5/8	302	XSM2424	XSA2424	22	22	XHF-2
-242410	24	24	10	11 7/16	28 7/8	28 7/8	14 7/16	18 3/8	28	5/8	330	XSM2424	XSA2424	22	22	XHF-2
-243008	24	30	8	9 1/4	28 7/8	34 7/8	12 15/16	23	28	5/8	356	XSM2430	XSA2430	22	28	XHF-2
-243608	24	36	8	9 1/4	28 7/8	40 7/8	12 7/16	29	28	5/8	408	XSM2436	XSA2436	34	22	XHF-3
-243610	24	36	10	11 1/4	28 7/8	40 7/8	14 7/8	29	28	5/8	433	XSM2436	XSA2436	34	22	XHF-3
-323612***	32	36	12	12	37 3/4	41 3/4	15 1/2	29	36 1/8	5/8	691	XSM3236	XSA3236	29	33	XHF-3

***This unit has limited approval dependent on number of entries

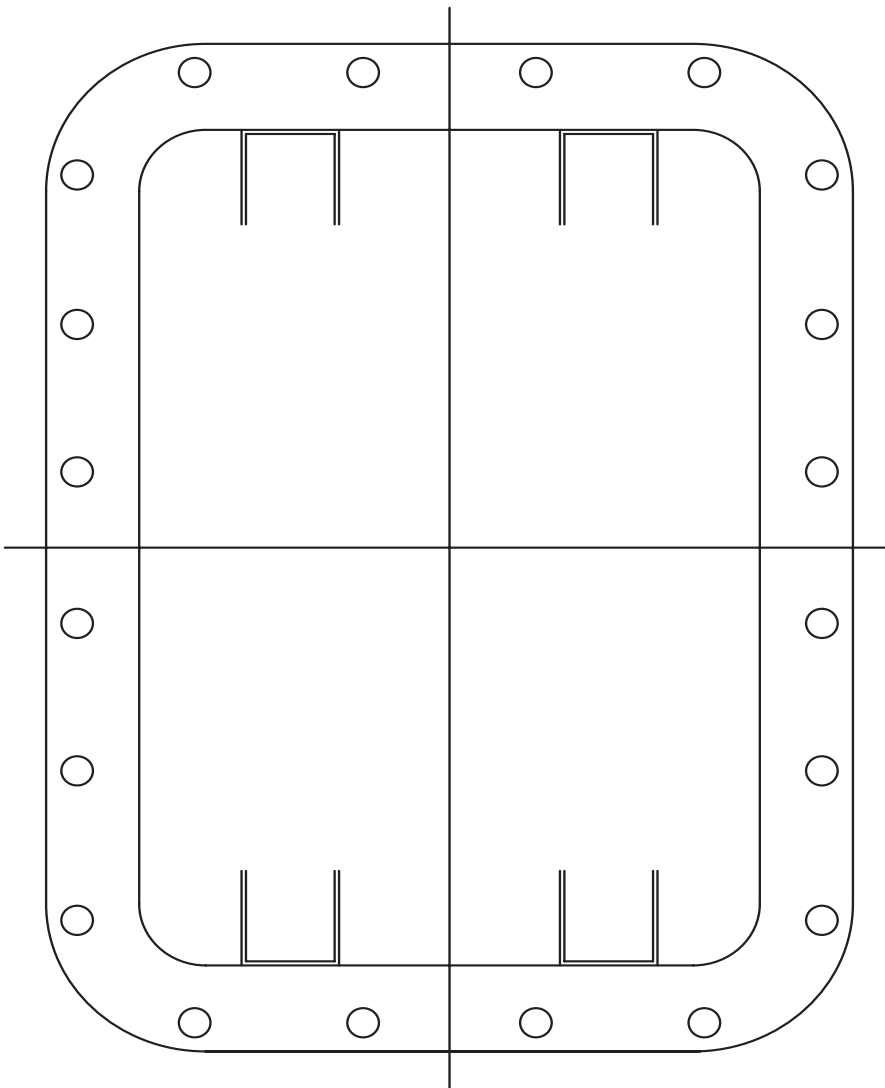
Some XJF Series enclosures do not have UL approval - consult factory

NOTES

1. To indicate Quad-Lead bolt option, add suffix "Q" after XCE. (Not available on XCEX models.)
2. Operators, windows and hinges are ordered separately.
3. Ex d approval optional on XCEX series only.
4. To indicate Type 4 / IP66 option, add suffix "N4" after size (catalog number)
5. Where reference is made to Class I and Class II hazardous locations, the equipment is suitable for both Div. 1 and Div. 2 locations.
6. Enclosures are pre-drilled for mounting panel and hinge kit unless otherwise specified.
7. Lid Lifter Cover Assist standard on all XCE enclosures 18 x 24 and higher

Customer Design Sheets

Cover Layout



DIMENSION ALL MODIFICATIONS
FROM CENTER LINES OF COVER

CAT #: X _ _ _ _ _

ATEX / IECEx

DEMKO U Cert.

UL

UL APPROVED

REF. DS361 & B301

CSA

CSA APPROVED

REF. DS327 & B301

HINGES

LEFT HAND

RIGHT HAND

LONG SIDE

SHORT SIDE

NON REMOVABLE

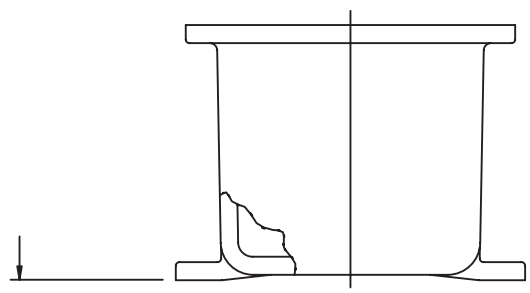
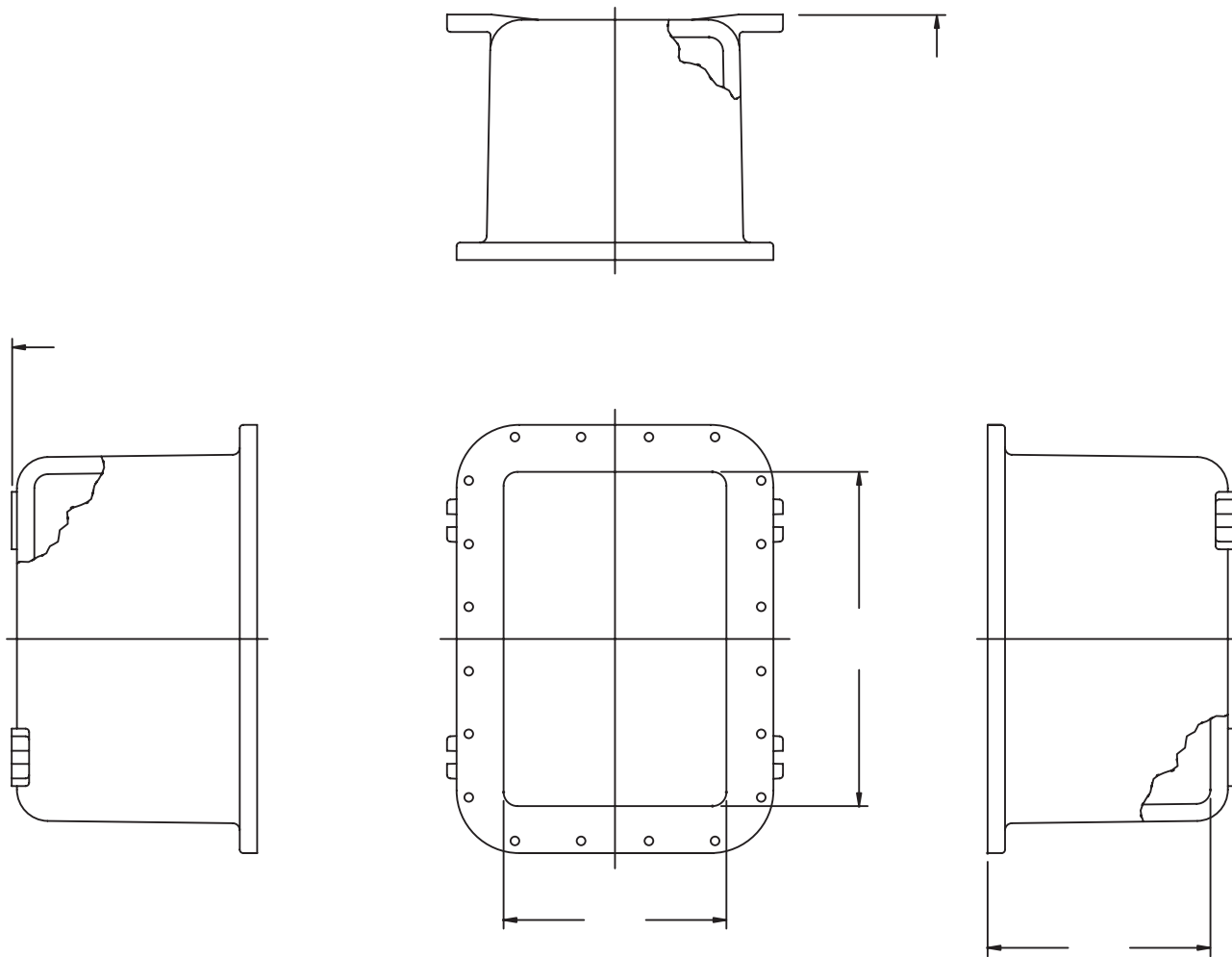
NEMA 4/ IP66

N4 GROOVE

Customer Design Sheets

Box Layout

EXPLOSIONPROOF
ENCLOSURES



DIMENSION ALL MODIFICATIONS FROM CENTER LINES AND BOTTOM OF MOUNTING LUGS WHENEVER POSSIBLE.

ATEX / IECEX

DEMKO U Cert.

UL

UL APPROVED
REF. DS248 & B301

CSA

CSA APPROVED
REF. B301

MTG. PANS

XSA PAN

XSM PAN

HINGES

LEFT HAND

RIGHT HAND

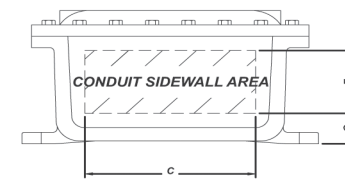
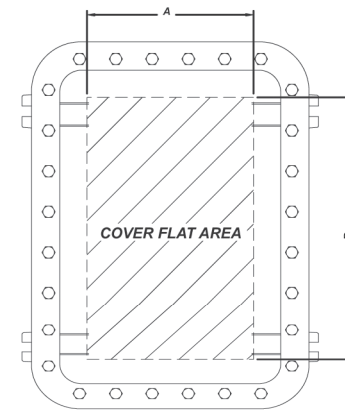
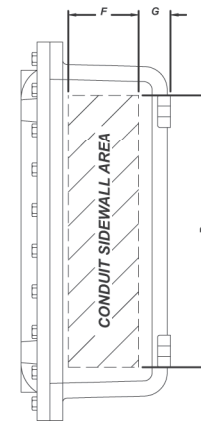
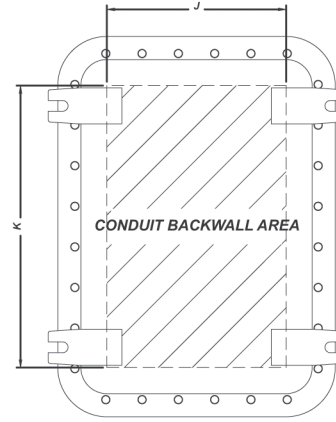
LONG SIDE

SHORT SIDE

NON REMOVABLE

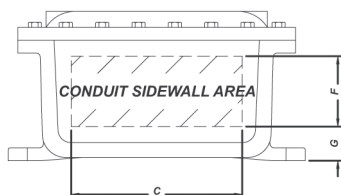
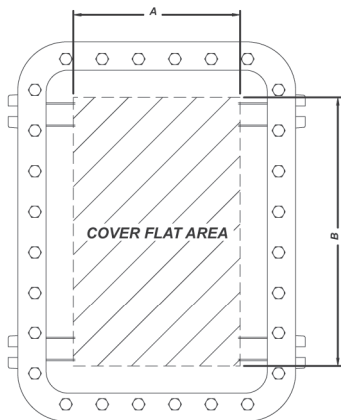
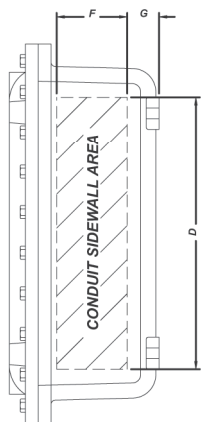
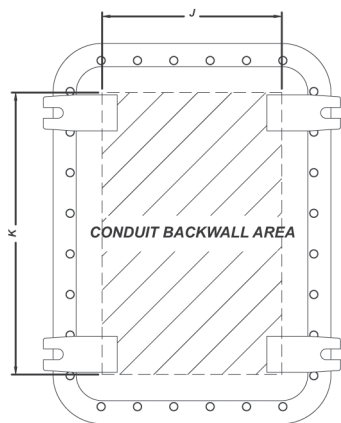
Cover & Sidewall Area

Enclosure Series	COVER FLAT		CONDUIT - SIDEWALL				BACK WALL	
	A	B	C	D	F	G	J	K
-041604	2 1/8	14 1/8	2 11/16	14 11/16	2 7/8	1	3 3/8	15 1/8
-060804	3 7/8	5 7/8	4 11/16	6 11/16	2 7/8	1	5 3/8	7 1/8
-060805	3 7/8	5 7/8	4 5/8	6 5/8	3 7/8	1	5 1/16	7 1/16
-060806	3 7/8	5 7/8	4 9/16	6 9/16	4 7/8	1	4 15/16	6 15/16
-061105	3 7/8	8 7/8	4 5/8	9 5/8	3 5/8	1	5 3/8	10 3/8
-061204	3 7/8	9 7/8	4 11/16	10 11/16	2 7/8	1	5 3/8	11 3/8
-061206	3 7/8	9 7/8	4 9/16	10 9/16	4 9/16	1 5/16	4 7/16	10 7/16
-061305	3 7/8	10 7/8	4 5/8	11 5/8	3 5/8	1	5 3/8	12 3/8
-071004	4 7/8	7 7/8	5 5/8	8 5/8	2 1/2	1 3/8	5 5/8	8 5/8
-071006	4 7/8	7 7/8	5 9/16	8 9/16	4 5/8	1 3/8	5 9/16	8 9/16
-071805	5	16 1/4	5 7/16	16 11/16	3 1/2	1 3/8	5 7/16	16 11/16
-080804	5 7/8	5 7/8	6 5/8	6 5/8	2 11/16	1 3/8	7 1/8	7 1/8
-080806	5 7/8	5 7/8	6 9/16	6 9/16	4 11/16	1 3/8	7 1/16	7 1/16
-080808	5 7/8	5 7/8	6 7/16	6 7/16	6 11/16	1 3/8	6 15/16	6 15/16
-081004	5 7/8	7 7/8	6 5/8	8 5/8	2 1/2	1 3/8	6 5/8	8 5/8
-081006	5 7/8	7 7/8	6 9/16	8 9/16	4 1/2	1 3/8	6 9/16	8 9/16
-081008	5 7/8	7 7/8	6 7/16	8 7/16	6 1/2	1 3/8	6 7/16	8 7/16
-081204	5 7/8	9 7/8	6 5/8	10 5/8	2 1/2	1 3/8	6 5/8	10 5/8
-081206	5 7/8	9 7/8	6 9/16	10 9/16	4 1/2	1 3/8	6 9/16	10 9/16
-081208	5 7/8	9 7/8	6 7/16	10 7/16	6 1/2	1 3/8	6 7/16	10 7/16
-091105	6 7/8	8 7/8	7 5/16	9 5/16	3 3/8	1 9/16	7 5/16	9 5/16
-101004	7 7/8	7 7/8	8 3/8	8 3/8	2 3/8	1 9/16	8 3/8	8 3/8
-101006	7 7/8	7 7/8	8 5/16	8 5/16	4 3/8	1 9/16	8 5/16	8 5/16
-101008	7 7/8	7 7/8	8 3/16	8 3/16	6 3/8	1 9/16	8 3/16	8 3/16
-101206	7 3/4	9 3/4	8 1/4	10 1/4	4 5/8	1 9/16	8 1/4	10 1/4
-101404	7 7/8	11 7/8	8 3/8	12 3/8	2 3/8	1 9/16	8 3/8	12 3/8
-101406	7 7/8	11 7/8	8 5/16	12 5/16	4 3/8	1 9/16	8 5/16	12 5/16
-101408	7 7/8	11 7/8	8 1/16	12 1/16	6 1/4	1 3/4	7 5/8	11 5/8
-121204	9 3/4	9 3/4	10	10	2 1/2	1 7/8	10	10
-121206	9 3/4	9 3/4	9 13/16	9 13/16	4 1/8	1 7/8	9 13/16	9 13/16
-121208	9 3/4	9 3/4	9 11/16	9 11/16	6 1/8	1 7/8	9 11/16	9 11/16
-121804	9 3/4	15 3/4	10 1/8	16 1/8	2 1/8	1 7/8	10 1/8	16 1/8
-121806	9 3/4	15 3/4	9 13/16	15 13/16	4 1/8	1 7/8	9 13/16	15 13/16
-121808	9 3/4	15 3/4	9 11/16	15 11/16	6 1/8	1 7/8	9 11/16	15 11/16
-122005	9 3/4	17 3/4	10 1/16	18 1/16	3 3/16	2	10 1/16	18 1/16
-122404	9 5/8	21 3/4	10 1/8	22 1/8	2 1/8	2	10 1/8	22 1/8
-122406	9 5/8	21 5/8	10 1/16	22 1/16	4 1/8	2	10 1/16	22 1/16



EXPLOSIONPROOF ENCLOSURES

XCE SERIES & XJF



Cover & Sidewall Area

Enclosure Series	COVER FLAT		CONDUIT - SIDEWALL				BACK WALL	
	A	B	C	D	F	G	J	K
-122408	9 5/8	21 5/8	9 15/16	21 15/16	6 1/8	2	9 15/16	21 15/16
-122410	9 5/8	21 5/8	9 13/16	21 13/16	8 1/8	2	9 13/16	21 13/16
-123006	9 5/8	27 7/8	10 1/8	28 1/8	4	2 3/16	10 1/8	28 1/8
-123604	9 5/8	33 7/8	10 1/8	34 1/8	2	2 3/8	10 1/8	34 1/8
-123606	9 5/8	33 7/8	10 1/16	34 1/16	4	2 3/8	10 1/16	34 1/16
-123608	9 5/8	33 7/8	9 15/16	33 15/16	6	2 3/8	9 15/16	33 15/16
-124608	9 5/8	42 1/4	9 7/16	43 7/16	5 5/8	2 11/16	9 7/16	43 3/16
-141404	11	11	12 1/8	12 1/8	1 3/4	2 1/8	11 5/8	11 5/8
-141406	11	11	12 1/16	12 1/16	3 3/4	2 1/8	11 9/16	11 9/16
-141408	11	11	11 15/16	11 15/16	5 3/4	2 1/8	11 7/16	11 7/16
-142806	11	25	11 5/8	25 5/8	4	2	11 5/8	25 5/8
-161604	12 1/2	12 1/2	14 1/8	14 1/8	2	2 1/16	14 1/8	14 1/8
-161606	12 1/2	12 1/2	14 1/16	14 1/16	4	2 1/16	14 1/16	14 1/16
-161608	12 1/2	12 1/2	13 15/16	13 15/16	6	2 1/16	13 15/16	13 15/16
-162406	12 1/2	20 1/2	13 1/2	21 1/2	3 7/8	2 5/16	13 1/2	21 1/2
-162408	12 1/2	20 1/2	13 3/8	21 3/8	5 7/8	2 3/16	13 3/8	21 3/8
-162410	12 1/2	20 1/2	13 1/4	21 1/4	7 7/8	2 3/16	13 1/4	21 1/4
-162806	13 1/4	25 1/4	14 1/16	26 1/16	3 11/16	2 3/16	14 1/16	26 1/16
-163406	13 7/8	31 3/8	14 1/16	32 1/16	3 15/16	2 5/16	14 1/16	32 1/16
-164610	12 1/2	42 1/4	13 7/8	43 7/8	7 7/8	2 7/16	13 7/8	43 7/8
-181804	14 1/4	14 1/4	16 3/16	16 3/16	1 7/8	2 3/16	16 3/16	16 3/16
-181806	14 1/4	14 1/4	16 1/16	16 1/16	3 7/8	2 3/16	16 1/16	16 1/16
-181808	14 1/4	14 1/4	15 15/16	15 15/16	5 7/8	2 5/16	15 15/16	15 15/16
-182406	14 1/4	20 1/4	15 7/16	21 7/16	3 7/8	2 1/2	15 7/16	21 7/16
-182408	14 1/4	20 1/4	15 3/8	21 3/8	5 7/8	2 1/2	15 3/8	21 3/8
-182410	14 1/4	20 1/4	15 1/4	21 1/4	7 7/8	2 1/2	15 1/4	21 1/4
-183008	14 1/4	26 1/4	15 3/8	27 3/8	5 7/8	2 1/2	15 3/8	27 3/8
-183608	14 1/4	32 1/4	15 3/8	33 3/8	5 7/8	2 1/2	15 3/8	33 3/8
-183610	14 1/4	32 1/4	15 1/4	33 1/4	7 7/8	2 1/2	15 1/4	33 1/4
-242408	20 1/4	20 1/4	20 7/8	20 7/8	5 5/8	2 9/16	20 7/8	20 7/8
-242410	20 1/4	20 1/4	20 3/4	20 3/4	7 5/8	2 9/16	20 3/4	20 3/4
-243008	20 1/4	26 1/4	20 5/8	26 5/8	5 7/8	2 7/16	21 3/8	27 3/8
-243608	20 1/4	32 1/4	21 3/16	33 3/16	5 7/8	2 1/2	21 15/16	33 15/16
-243610	20 1/4	32 1/4	21 1/8	33 1/8	7 7/8	2 3/4	20 7/8	32 7/8
-323612	28 3/4	32 3/4	30	34	3 3/8	2 3/4	28 7/8	32 7/8

EXPLOSIONPROOF ENCLOSURES

Minimum Spacing for Operators in Covers

Enclosure Series	STANDARD OPERATORS				MINIATURE OPERATORS				COVER WALL
	Max. #	Max. Rows	Max. Per Row	Spacing CL to CL	Max. #	Max. Rows	Max. Per Row	Spacing CL to CL	Thickness
XCE041604	5	5	1	2 ½	13	13	1	1	½
XCE060804	2	2	1	2 ½	8	4	2	1	½
XCE060805	2	2	1	2 ½	8	4	2	1	½
XCE060806	2	2	1	2 ½	8	4	2	1	½
XCE061105	3	3	1	2 ½	14	7	2	1	½
XCE061204	4	4	1	2 ½	16	8	2	1	⅝
XCE061206	4	4	1	2 ½	16	8	2	1	⅝
XCE061305	4	4	1	2 ½	18	9	2	1	½
XCE071004	6	3	2	2 ½	18	6	3	1	⅝
XCE071006	6	3	2	2 ½	18	6	3	1	⅝
XCE071805	12	6	2	2 ½	45	15	3	1	⅝
XCE080804	4	2	2	2 ½	16	4	4	1	1¼
XCE080806	4	2	2	2 ½	16	4	4	1	1¼
XCE080808	4	2	2	2 ½	16	4	4	1	1¼
XCE081004	6	3	2	2 ½	24	6	4	1	1¼
XCE081006	6	3	2	2 ½	24	6	4	1	1¼
XCE081008	6	3	2	2 ½	24	6	4	1	1¼
XCE081204	8	4	2	2 ½	32	8	4	1	1¼
XCE081206	8	4	2	2 ½	32	8	4	1	1¼
XCE081208	8	4	2	2 ½	32	8	4	1	1¼
XCE091105	6	3	2	2 ½	35	7	5	1	1¼
XCE101004	9	3	3	2 ½	36	6	6	1	1¼
XCE101006	9	3	3	2 ½	36	6	6	1	1¼
XCE101008	9	3	3	2 ½	36	6	6	1	1¼
XCE101206	12	4	3	2 ½	48	8	6	1	¾
XCE101404	12	4	3	2 ½	60	10	6	1	¾
XCE101406	12	4	3	2 ½	60	10	6	1	¾
XCE101408	12	4	3	2 ½	60	10	6	1	¾
XCE101410	12	4	3	2 ½	60	10	6	1	¾
XCE121204	9	3	3	3	64	8	8	1	⅞
XCE121206	9	3	3	3	64	8	8	1	⅞
XCE121208	9	3	3	3	64	8	8	1	⅞
XCE121804	15	5	3	3	92	14	8	1	1⅝
XCE121806	15	5	3	3	92	14	8	1	1⅝
XCE121808	15	5	3	3	92	14	8	1	1⅝
XCE122005	18	6	3	3	128	16	8	1	1 ⅜
XCE122404	21	7	3	3	150	20	8	1	1 ⅜

NOTE For closer spacing consult factory for details. Hydro test may be necessary for closer hole spacing.

Minimum Spacing for Operators in Covers

Enclosure Series	STANDARD OPERATORS				MINIATURE OPERATORS				COVER WALL
	Max. #	Max. Rows	Max. Per Row	Spacing CL to CL	Max. #	Max. Rows	Max. Per Row	Spacing CL to CL	Thickness
XCE122408	21	7	3	3	150	20	8	1	1 ½
XCE122410	21	7	3	3	150	20	8	1	1 ½
XCE123006	27	9	3	3	150	26	8	1	1 ¾
XCE123604	33	11	3	3	150	32	8	1	1 ¾
XCE123606	33	11	3	3	150	32	8	1	1 ¾
XCE123608	33	11	3	3	150	32	8	1	1 ¾
XCE124608	42	14	3	3	150	41	8	1	1 ¼
XCE141404	16	4	3	3	100	10	10	1	7/8
XCE141406	16	4	4	3	100	10	10	1	7/8
XCE141408	16	4	4	3	100	10	10	1	7/8
XCE142210	24	6	4	3	100	18	10	1	1 ½
XCE142213	24	6	4	3	100	18	10	1	1 ½
XCE142806	32	8	4	3	150	24	10	1	1 ½
XCE161604	16	4	4	3 ½	121	11	11	1	7/8
XCE161606	16	4	4	3 ½	121	11	11	1	7/8
XCE161608	16	4	4	3 ½	121	11	1	1	7/8
XCE162406	24	6	4	3 ½	150	19	11	1	7/8
XCE162408	24	6	4	3 ½	150	19	11	1	7/8
XCE162410	24	6	4	3 ½	150	19	11	1	7/8
XCE162806	28	7	4	3 ½	150	24	11	1	1 ¼
XCE163406	32	8	4	3 ½	150	30	11	1	1 ¼
XCE164610	48	12	4	3 ½	150	41	11	1	1
XCE181804	36	6	6	2 ½	150	13	13	1	1
XCE181806	36	6	6	2 ½	150	13	13	1	1
XCE181808	36	6	6	2 ½	150	13	13	1	1
XCE182406	24	6	4	3 ½	150	19	13	1	1 ½
XCE182408	24	6	4	3 ½	150	19	13	1	1 ½
XCE182410	24	6	4	3 ½	150	19	13	1	1 ½
XCE183008	32	8	4	3 ½	150	25	13	1	1 ½
XCE183608	36	9	4	3 ½	150	31	13	1	1 ¾
XCE183610	36	9	4	3 ½	150	31	13	1	1 ¾
XCE242408	36	6	6	3 ½	150	19	19	1	1 ½
XCE242410	36	6	6	3 ½	150	19	19	1	1 ½
XCE243008	42	7	6	3 ½	150	25	19	1	1 ¾
XCE243608	54	9	6	3 ½	150	31	19	1	1 ¾
XCE243610	54	9	6	3 ½	150	31	19	1	1 ¾
XCE323612***	72	9	8	3 ½	50	31	27	1	1 ¾

NOTE For closer spacing consult factory for details. Hydro test may be necessary for closer hole spacing.

Conduit Drilling and Tapping Guidelines

When drilling and tapping enclosures for conduit, proper installation requires compliance with the following:

1. Must be tapped with at least 5 full NPT threads in enclosure back or sides only; min. 1/2" conduit size for XJF and XCE series.
2. Depth of NPT holes must be plus 1/2 turn min. to plus 2 turns max. past standard NPT plug gauge notch.
3. Inner end of conduit openings shall be smooth and well-rounded.

THREAD SIZE OF CONDUIT	MINIMUM WALL THICKNESS AT CONDUIT ENTRANCE EXCLUDING XCEX
Inches (NPT)	Explosionproof
1/2 - 3/4	3/4 inch
1 - 2	7/16 inch
2 1/2 - 5	5/8 inch

THREAD SIZE OF CONDUIT	MINIMUM WALL THICKNESS AT CONDUIT ENTRANCE EXCLUDING XCEX										
Conduit size, inches (NPT) / metric	1/2/m16	3/4/m20	1/m25	1 1/4/m32	1 1/2/m40	2/m50	2 1/2/m63	3/m75	3 1/2	4	5
Minimum Distance from conduit CL to inside corner or back of box	1 5/16	1 7/16	1 9/16	1 3/4	1 7/8	2 1/8	2 3/8	2 11/16	2 15/16	3 1/4	3 7/8
Approximate diameter of union	1 7/8	1 7/8	2 1/16	2 7/8	3 1/4	3 7/8	4 7/8	5 1/2	6	6 1/2	7 1/2

SIZE	5	4	3 1/2	3	2 1/2	2	1 1/2	1 1/4	1	3/4	1/2
1/2/m16	4 1/2	3 5/8	3 3/8	3	2 5/8	2 3/8	2	1 7/8	1 3/4	1 5/8	1 1/2
3/4/m20	4 3/4	3 3/4	3 1/2	3 1/8	2 3/4	2 1/2	2 1/8	2	1 7/8	1 3/4	
1/m25	4 7/8	4	3 5/8	3 1/4	3	2 5/8	2 3/8	2 1/4	2		
1 1/4/m32	5 1/8	4 1/8	3 7/8	3 1/2	3 1/8	2 7/8	2 1/2	2 3/8			
1 1/2/m46	5 1/2	4 1/4	4	3 5/8	3 1/4	3	2 5/8				
2/m56	5 3/4	4 5/8	4 1/4	3 7/8	3 3/8	3 1/4					
2 1/2/m63	6	4 7/8	4 5/8	4 1/4	3 7/8						
3/m75	6 1/4	5 3/8	5	4 5/8							
3 1/2	6 1/2	5 5/8	5 1/4								
4	6 3/4	5 7/8									
5	7 1/4										

NOTE 1. This information is compiled from data which we believe is reliable and is given in good faith. Since the methods of applications and conditions under which our products are used are beyond our control, we are not able to guarantee the application and/or use of same. The user assumes all risks and liability in connection with the application and use of our product.
 2. Dimensions are in inches
 3. Metric threads available from factory for most applications - consult factory.
 4. Consult factory for special spacing arrangements. Hydro test may be required.

EXPLOSIONPROOF ENCLOSURES

Auxiliary Device Drilling and Tapping Guidelines

Spacing for auxiliary devices installed in box walls of control panel enclosures used in hazardous locations

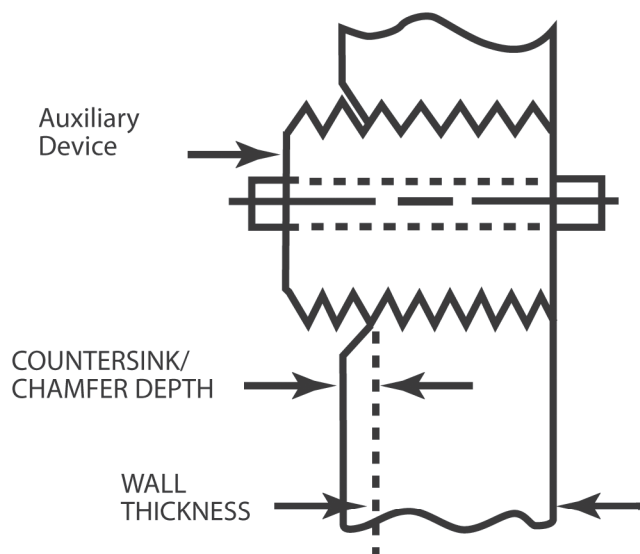
When using an auxiliary device in the box wall of an enclosure used in hazardous locations, proper installation requires compliance with the following:

1. A minimum of (5) thread engagement, class 2 fit, required for group C & D applications.
A minimum of (7) thread engagement, class 2 fit, required for group B applications.
2. The table below shows minimum box wall thickness for auxiliary devices threads.

REQUIRED MINIMUM BOX WALL THICKNESS				
Thread Size (in.)	Group C & D min. (5) thread engagement	Group B min. (7) thread engagement	Typical Auxiliary Device	Drill Dia.
1/2 - 14 NPSM	3/8 inch	1/2 inch	XBO, XHPB,XHSS, Standard Operators	.747 / .759
3/4 - 14 NPSM	3/8 inch	1/2 inch	XBO, XHPB, XHSS, Standard Operators	.958 / .970
1-11 1/2 NPSM	7/16 inch	5/8 inch	XCBH Large Handle Assembly	1.201 / 1.211
3/8 - 18 NPSM	9/32 inch	13/32 inch	XCBH Small Handle Assembly	.603 / .612
3/8 - 16 UNC	5/16 inch	7/16 inch	XMOB, XMOSS, Mini Operators	5/16

3. If auxiliary device contains undercut in engaging threaded section, the minimum wall thickness shown in Table I must increase to maintain the minimum required thread engagement. (Fig. A)

FIG. A
SEE NOTE 3



(continued on next page)

Auxiliary Device Drilling and Tapping Guidelines (cont.)

When using an auxiliary device in the box wall of an enclosure used in hazardous locations, proper installation requires compliance with the following:

4. Table II provides the minimum distance an auxiliary device center can be placed from inside corner or back of box.

TABLE II

TITLE?	$\frac{3}{8}$ - 16 UNC	$\frac{3}{8}$ - NPSM	$\frac{1}{2}$ - NPSM	$\frac{3}{4}$ - NPSM	1 - NPSM
Minimum distance from auxiliary device CL to corner or back of box	1 ½	1 ⅝	1 ¾	1 ⅞	2

5. Table III shows minimum spacing between conduit and auxiliary device entrances.

TABLE III

AUXILIARY DEVICE THREAD (in)	5	4	3 ½	3	2 ½	2	1 ½	1 ¼	1	¾	½
$\frac{3}{8}$	4 ½	3 ⅝	3 ¾	3	2 ⅝	2 ¾	2	1 ⅞	1 ¾	1 ⅝	1 ½
$\frac{1}{2}$	4 ⅝	3 ¾	3 ½	3 ⅜	2 ¾	2 ½	2 ¼	2 ⅞	2	1 ⅞	1 ¾
$\frac{3}{4}$	4 ¾	4	3 ⅝	3 ¼	2 ⅞	2 ⅝	2 ⅜	2 ¼	2 ⅞	2	1 ⅞
1	5	4 ¼	3 ⅞	3 ½	3	2 ¾	2 ½	2 ⅝	2 ¼	2 ⅞	2

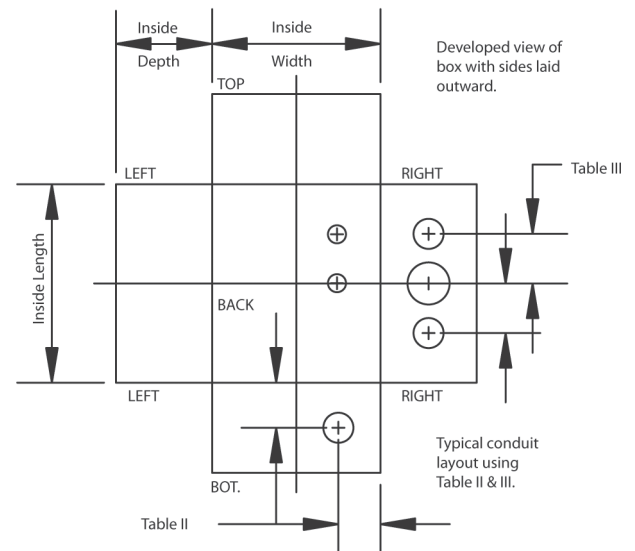
6. Table IV shows minimum spacing between auxiliary device entrances.

NOTE: Increase distance between devices as required to maintain minimum through air spacing of contacts required by electrical codes.

7. Double all distances in Table III and IV holes located in back wall.

TABLE IV

MIN. SPACING BETWEEN AUX. DEVICE OF VARYING THREAD SIZES (INCHES)	$\frac{3}{8}$	$\frac{1}{2}$	$\frac{3}{4}$	1
$\frac{3}{8}$	1 ½	1 ½	1 ½	2 ½
$\frac{1}{2}$	1 ½	2	2	2 ½
$\frac{3}{4}$	1 ½	2	2	3
1	2 ½	2 ½	3	3 ½



Glass Windows

CIRCULAR WINDOW

Circular Window	Window Viewing Area Diameter	Overall Window Cover Diameter	Min. Enclosure Inside Width / Length	Thread
XGC 10	1 1/8	3	8	2 1/2 - 16
XGC 20	1 5/16	4 1/8	9	3 3/8 - 12
XGC 30	3	5 3/16	9	4 3/4 - 12
XGC 40	4	6 3/8	9	5 1/2 - 12
XGC 52	5 1/4	7 7/8	10	7 1/8 - 12
XGC66	6 11/16	10 3/8	16	9 1/8 - 12
XGC 80	8	12 1/8	18	10 7/8 - 8

- NOTE**
1. All dimensions are in inches.
 2. Glass window catalog number includes XCE cover machining and installation
 3. For TYPE 4/IP66 option add suffix "N4".
 4. To order glass windows for field installations, add suffix SLF to XGC catalog no.
 5. Consult factory for closer spacing requirements, multiple windows or combinations of operators and windows.



Photo shown is example only

STANDARD RECTANGLE WINDOW

Rectangular Window	Window Viewing Area Diameter	Min. Enclosure Inside Width	Min. Enclosure Inside Length
XGW 0303	3 x 3	8	8
XGW 0305	3 x 5	8	10
XGW 0307	3 x 7	8	12
XGW 0505	5 x 5	10	10
XGW 0509	5 x 9	10	14
XGW 0707	7 x 7	12	12
XGW 0713	7 x 13	12	18
XGW 0909	9 x 9	14	14
XGW 1111	11 x 11	16	16
XGW 1313	13 x 13	18	18

- NOTE**
1. All dimensions are in inches.
 2. Glass window catalog number includes installation and pattern modifications
 3. For TYPE 4 option add suffix "N4".
 4. Consult factory for special viewing area requirements, closer spacing and to combine windows with other window sizes or operators.
 5. Windows can be ordered in sizes between 3" and 13" - consult factory.
 6. XGW window kits are not sold for field installation

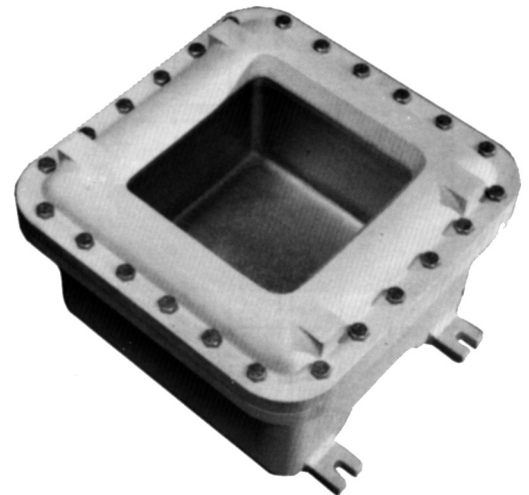


Photo shown is example only