

Instrument Housings



Contents

Explosionproof Instrument Housings

XDHI Series (Mini) - 2 5/16" ID	206
XIH Series - 3 3/16" ID	208
XIH 3-Lug Series - 3 3/16" ID	210
XDH Series - 3 3/16" ID	212
XIHM Series - 3 5/8" ID	214
XDHM Series - 3 5/8" ID	216
XIHL Series - 4" ID	218
XDHL Series - 4" ID	220
XIHN Series - 4 1/16" ID	222
XIHNS Series - 4 1/16" ID	224
XIHS Series - 2 5/8"	226

Instrument Housings

QUICK REFERENCE CHART FOR INSTRUMENT HOUSINGS

Basic Catalog #	XIHL	XDHL	XIHM	XDHM	XIHMK	XIH	XDH	XIHS	XDHI	XIHN/XIHNS
Size	Large	Large	Medium	Medium	Medium	Standard	Standard	Small	Small	Large
Single or Double Sided	Single	Double	Single	Double	Single	Single	Double	Single	Double	Single
Throat Diameter	4.00"	4.00"	3.56"	3.63"	3.56"	3.19"	3.19"	2.63"	2.30"	4.60"
Glass Cover Viewing Diameter	3.31"	3.31"	2.63"	2.63"	2.50"	2.63"	2.63"	1.13"	1.80"	3.31"
UL	B, C, D	B, C, D	B, C, D	B, C, D	B, C, D	B, C, D	B, C, D	B, C, D	B, C, D	B, C, D
Canadian	cUL, B, C, D	cUL, B, C, D	cUL, B, C, D	cUL, B, C, D	cUL, B, C, D	cUL, B, C, D	cUL, B, C, D	cUL, B, C, D	cUL, B, C, D	cUL, B, C, D
FM	B. C. D	B. C. D	B. C. D	B. C. D	B. C. D	B. C. D	B. C. D	B. C. D	B. C. D	N/A
ATEX/ IECEx Exd	Yes - IIC	Yes - IIB+H ₂	Yes - IIC	Yes - IIB+H ₂	Yes - IIC	Yes - IIC	Yes - IIC	No	Yes - IIB+H ₂	Yes - IIC
NEMA Type 4X & IP66	Both	Both	Both	Both	Both	Both	Both	Type 4	Both	Both
Cast. Mtg. Feet	Yes	No	Optional	No	Yes	Optional	No	No	No	Yes, 2+ Optional 3rd
Powder Coat Std.	Yes	Yes	Yes	Yes	Yes	Yes	Yes	No	No	No
Backwall Entry	NPT, NPSM, Metric	N/A	NPT	N/A	NPT	Consult Factory	N/A	NPT on XIHSB/D	N/A	NPT, Metric
Front Boss Entry	NPT, NPSM, Metric	NPT, NPSM, Metric	NPT, NPSM, Metric	NPT, NPSM, Metric	NPT, NPSM, Metric	NPT, NPSM, Metric	NPT, NPSM, Metric	Yes, Hub	NPT, NPSM, Metric	NPT, NPSM, Metric
Terminal Strips Through Dividing Wall	N/A	Yes, 2-12	N/A	Yes, 2-8	N/A	N/A	Yes 2-4	N/A	Yes, 2	N/A
Interior Mounting Means	Versatile Thickwall	Versatile Thickwall	Versatile Thickwall	Versatile Thickwall	Versatile Thickwall	Bosses	Versatile Thickwall	Bosses	Versatile Thickwall	Removable Mtg. Pan
Dividing Wall Penetrate / Remove	N/A	Yes	N/A	Yes	N/A	N/A	Yes	N/A	N/A	N/A

INSTRUMENT HOUSINGS

XDHI Series (Mini) - 2 5/16" ID Enclosures

DOUBLE ENDED HOUSING - XDHI housings are designed to isolate incoming power connections from instrumentation. The 2-5/16" ID provides ample clearance to accommodate a wide variety of miniature measurement and control devices, with back-to-back chambers separated by a solid 3/16" thick wall. Precision machined from sand-cast copper-free aluminum.

STANDARD FEATURES

- 1/2" NPT conduit feed-through hubs, offset into power side for maximum clearance and capacity
- Front boss with 1/2" NPT opening into instrument side for conduit, sensor or probe (see design options for other sizes)
- Internal and external ground screws and tamper resistant cover set screws for extra safety
- Choice of solid covers or 1 3/16" diameter tempered glass window for local read out and display
- Buna-Nitrile rubber gasket for NEMA Type 4X watertight applications
- Corrosion resistant, "safety blue" polyester powder coating (other colors available)
- Stainless steel hardware

DESIGN OPTIONS

- 1/4"-20 UNC holes in front boss for bracket mounting
- Front boss modifications: 3/4" NPT & various NPSM & metric entries available in place of standard 1/2" NPT (consult factory)
- 2 point, power side terminal strip with sealed pass-through to instrument (add suffix "2T" to catalog number)
- Powder or epoxy coatings to match company color scheme
- Cast-on logos
- Custom drilling & tapping modifications
- Custom designs and sizes
- Power side (shallow side) cover options:
 - Flat Solid — Standard
 - Dome Glass — Add Suffix "A"
 - Flat Glass — Add Suffix "B"
 - Dome Solid — Add Suffix "C"



CERTIFICATIONS

XIH - Domestic Ratings

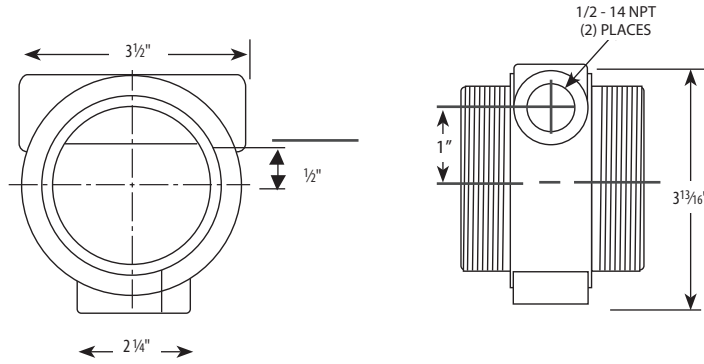
Classified
 Class I, Div. 1, Groups B, C, D
 Class II, Div. 1, Groups E, F, G
 NEMA Type 4X
 UL1203; CSA c22.2 No. 30 & CSA
 C22.2 No. 25

XIHX - Global Ratings (Optional)

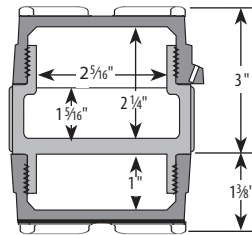
ATEX
 II 2G Ex d IIB+H2
 II 2D Ex tD A20
 IP66
 IECEx
 Ex d IIB+H2
 IP66

EN60079-0, EN60079-1
 EN61241-0, EN61241-1
 EN60529
 IEC60079-0 & IEC60079-1
 IEC60529





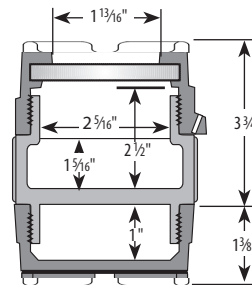
Solid Cover Arrangements



SOLID COVER

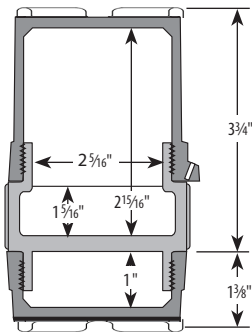
CATALOG NUMBER	DESCRIPTION
XDHIFCX	Flat Cover, 1/2" NPT Hubs

Glass Cover Arrangements



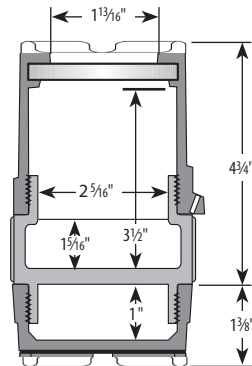
GLASS COVER

CATALOG NUMBER	DESCRIPTION
XDHIFGCX	Flat Glass Cover, 1/2" NPT Hubs



SOLID COVER

CATALOG NUMBER	DESCRIPTION
XDHIDCX	Dome Cover, 1/2" NPT Hubs



GLASS COVER

CATALOG NUMBER	DESCRIPTION
XDHIDGCX	Dome Glass Cover, 1/2" NPT Hubs

INSTRUMENT HOUSINGS

XIH Series - 3 3/16" ID Enclosures (Standard)

XIH housings are designed for small to medium sized electronic assemblies. The 3 3/16" ID provides ample clearance to accommodate a wide variety of measurement and control devices. Precision machined from sand-cast copper-free aluminum.

STANDARD FEATURES

- 1/2" or 3/4" NPT conduit feed-through hubs, offset for maximum clearance and capacity
- Four interior mounting bosses at 45° orientation accommodate blind tapped holes on a 2 1/2" bolt circle
- Internal and external ground screws and tamper resistant cover set screws for extra safety
- Choice of solid covers or 2 5/8" diameter tempered glass window for local read out or display
- Buna-Nitrile rubber gasket for NEMA Type 4X watertight applications
- Corrosion resistant, "safety blue" polyester powder coating (other colors available)
- Stainless steel hardware

DESIGN OPTIONS

- 1/4"-20 UNC holes in front boss for bracket mounting
- Front boss modifications: 1/2" or 3/4" NPT & various NPSM & metric entries available in place of standard 1/2" NPT (consult factory)
- Mounting lugs with 3/16" holes (add suffix "L" to catalog number)
- Powder or epoxy coatings to match company color scheme
- Cast-on logos
- Custom drilling & tapping modifications
- Interior mounting bosses
- Custom designs and sizes



CERTIFICATIONS

XIH - Domestic Ratings

Classified

Class I, Div. 1, Groups B, C, D

Class II, Div. 1, Groups E, F, G

Class III

NEMA Type 4X

UL1203; CSA c22.2 No. 30 & CSA C22.2 No. 25

XIHX - Global Ratings (Optional)

ATEX

II 2G Ex d IIC

II 2D Ex tD A20

IP66

IECEx

Ex d IIC

IP66

EN60079-0, EN60079-1

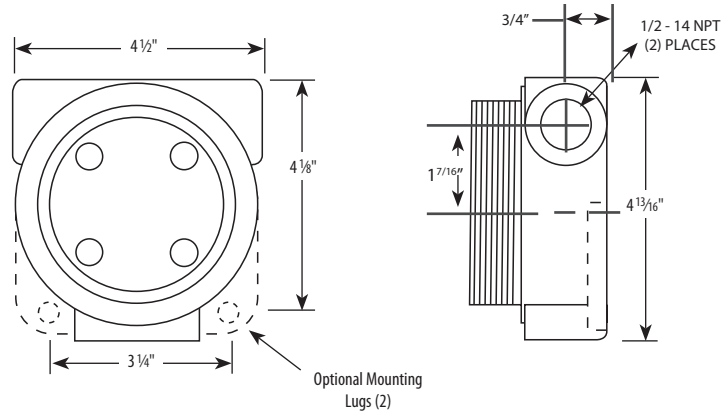
EN61241-0, EN61241-1

EN60529

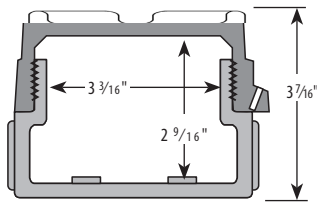
IEC60079-0 & IEC60079-1

IEC60529





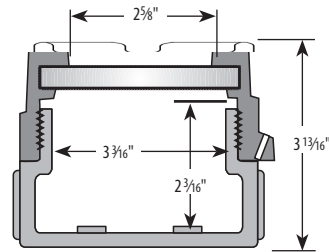
Solid Cover Arrangements



FLAT SOLID COVER

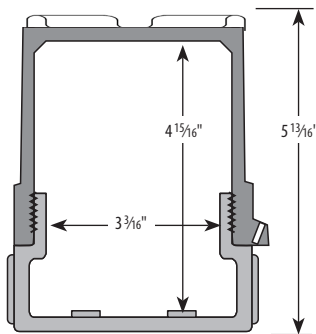
CATALOG NUMBER	DESCRIPTION
XIHFCX2	Flat Cover, 1/2" NPT Hubs
XIHFCX3	Flat Cover, 3/4" NPT Hubs

Glass Cover Arrangements



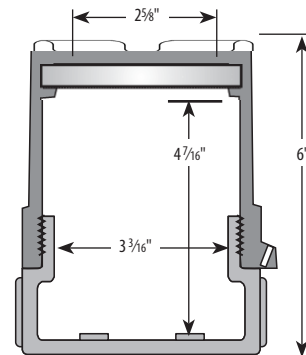
FLAT GLASS COVER

CATALOG NUMBER	DESCRIPTION
XIHFGCX2	Flat Glass Cover, 1/2" NPT Hubs
XIHFGCX3	Flat Glass Cover, 3/4" NPT Hubs



DOMESOLID COVER

CATALOG NUMBER	DESCRIPTION
XIHDCX2	Dome Cover, 1/2" NPT Hubs
XIHDCX3	Dome Cover, 3/4" NPT Hubs



DOMEGLASS COVER

CATALOG NUMBER	DESCRIPTION
XIHDCGX2	Dome Glass Cover, 1/2" NPT Hubs
XIHDCGX3	Dome Glass Cover, 3/4" NPT Hubs

INSTRUMENT HOUSINGS

EXPLOSIONPROOF
INSTRUMENT HOUSINGS

XIH 3-Lug Series - 3 3/16" ID Enclosures (Standard)

SINGLE ENDED HOUSING - XIH housings are designed for small to medium sized electronic assemblies. The 3 3/16" ID provides ample clearance to accommodate a wide variety of measurement and control devices. Precision machined from sand-cast copper-free aluminum. Cast-on third lug for heavy vibration applications.

STANDARD FEATURES

- Three factory drilled mounting lugs
- 1/2" or 3/4" conduit feed-through hubs, offset for maximum clearance and capacity
- Four interior mounting bosses at 45° orientation accommodate blind tapped holes on a 2 1/2" bolt circle
- Internal and external ground screws and tamper resistant cover set screws for extra safety
- Choice of solid covers or 2 3/8" diameter tempered glass window for local read out or display
- Buna-Nitrile rubber gasket for NEMA 4X watertight applications
- Corrosion resistant, "safety blue" polyester powder coating (other colors available)
- Stainless steel hardware

DESIGN OPTIONS

- 1/4"-20 UNC holes in front boss for bracket mounting
- Front boss modifications: 1/2" or 3/4" NPT & various NPSM & metric entries available in place of standard 1/2" NPT (consult factory)
- Mounting lugs with 5/16" holes (add suffix "L" to catalog number)
- Powder or epoxy coatings to match company color scheme
- Cast-on logos
- Custom drilling & tapping modifications
- Interior mounting bosses
- Custom designs and sizes



CERTIFICATIONS

XIH - Domestic Ratings

Classified
 Class I, Div. 1, Groups B, C, D
 Class II, Div. 1, Groups E, F, G
 Class III
 NEMA Type 4X
 UL1203; CSA c22.2 No. 30 & CSA C22.2 No. 25

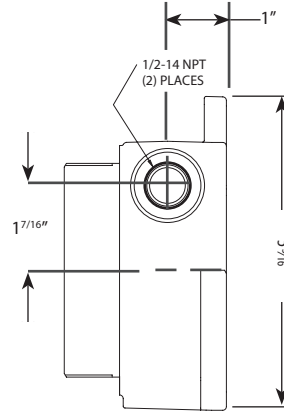
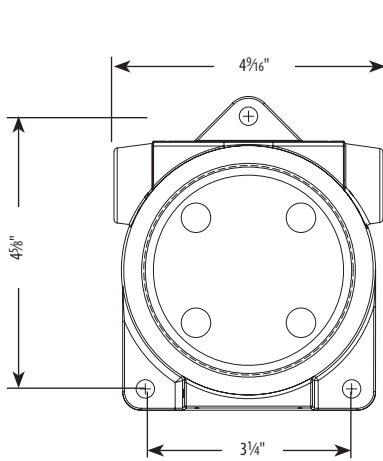
XIHX - Global Ratings (Optional)

ATEX	
II 2G Ex d IIC	EN60079-0, EN60079-1
II 2D Ex tD A20	EN61241-0, EN61241-1
IP66	EN60529
IECEX	
Ex d IIC	IEC60079-0 & IEC60079-1
IP66	IEC60529



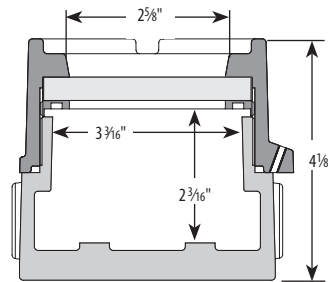
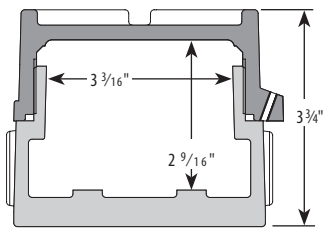
INSTRUMENT HOUSINGS

EXPLOSIONPROOF
INSTRUMENT HOUSINGS



Solid Cover Arrangements

Glass Cover Arrangements

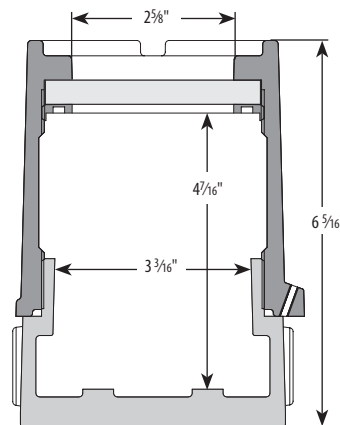
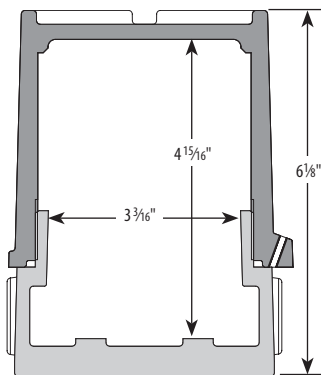


FLAT SOLID COVER

FLAT GLASS COVER

CATALOG NUMBER	DESCRIPTION
XIHFCX 2L-3 Lug	Flat Cover, 1/2" NPT Hubs

CATALOG NUMBER	DESCRIPTION
XIHFGCX 2L-3 Lug	Flat Glass Cover, 1/2" NPT Hubs



DOMESOLID COVER

DOMEGLASS COVER

CATALOG NUMBER	DESCRIPTION
XIHDCX 2L-3 Lug	Dome Cover, 1/2" NPT Hubs

CATALOG NUMBER	DESCRIPTION
XIHDCGX 2L-3 Lug	Dome Glass Cover, 1/2" NPT Hubs

INSTRUMENT HOUSINGS

XDH Series (Standard) - 3 3/16" ID Enclosures (Standard)

DOUBLE ENDED HOUSING - XDH housings are designed to isolate incoming power connections from instrumentation. The 3 3/16" ID provides ample clearance to accommodate a wide variety of measurement and control devices, with back-to-back chambers separated by a solid, 3/8" thick wall. Precision machined from sand-cast copper-free aluminum.

STANDARD FEATURES

- 3/4" NPT conduit feed-through hubs, offset into power side for maximum clearance and capacity
- Front boss with 3/4" NPT opening into instrument side for conduit, sensor or probe (see design options for other sizes)
- Internal and external ground screws and tamper resistant cover set screws for extra safety
- Choice of solid covers or 2 3/8" diameter tempered glass window for local read out and display
- Buna-Nitrile rubber gasket for NEMA Type 4X watertight applications
- Corrosion resistant, "safety blue" polyester powder coating (other colors available)
- Stainless steel hardware

DESIGN OPTIONS

- 1/4"-20 UNC holes in front boss for bracket mounting
- Front boss modifications: 1/2" NPT & various NPSM & metric entries available in place of standard 3/4" NPT (consult factory)
- Two or Four point, power side terminal strip with sealed pass-through to instrument (add suffix "2T" or "4T" to catalog number)
- Powder or epoxy coatings to match company color scheme
- Cast-on logos
- Custom drilling & tapping modifications
- Custom designs and sizes
- Power side (shallow side) cover options:
 - Flat Solid — Standard
 - Dome Glass — Add Suffix "A"
 - Flat Glass — Add Suffix "B"
 - Dome Solid — Add Suffix "C"



CERTIFICATIONS

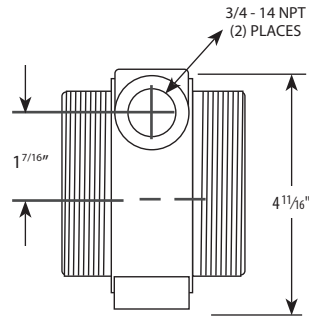
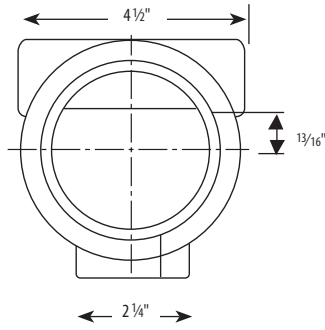
XIH - Domestic Ratings

Classified
 Class I, Div. 1, Groups B, C, D
 Class II, Div. 1, Groups E, F, G
 Class III
 NEMA Type 4X
 UL1203; CSA c22.2 No. 30 & CSA
 C22.2 No. 25

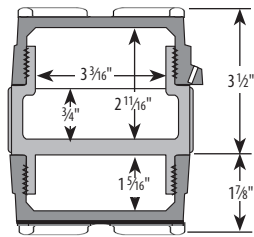
XIHX - Global Ratings (Optional)

ATEX
 II 2G Ex d IIB+H2 EN60079-0, EN60079-1
 II 2D Ex tD A20 EN61241-0, EN61241-1
 IP66 EN60529
 IECEx
 Ex d IIB+H2 IEC60079-0 & IEC60079-1
 IP66 IEC60529



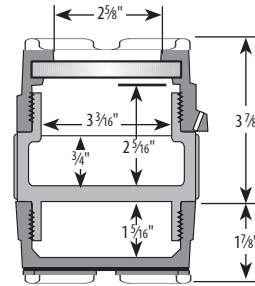


Solid Cover Arrangements

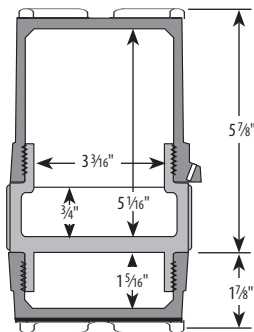


SOLID COVER	
CATALOG NUMBER	DESCRIPTION
XDHF CX	Flat Cover, 3/4" NPT Hubs

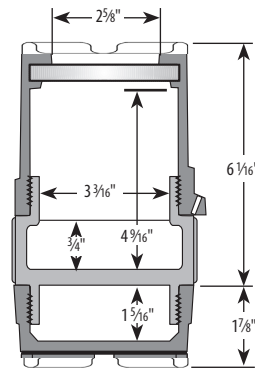
Glass Cover Arrangements



GLASS COVER	
CATALOG NUMBER	DESCRIPTION
XDHFG CX	Flat Glass Cover, 3/4" NPT Hubs



SOLID COVER	
CATALOG NUMBER	DESCRIPTION
XDHDC X	Dome Cover, 3/4" NPT Hubs



GLASS COVER	
CATALOG NUMBER	DESCRIPTION
XDHDG CX	Dome Glass Cover, 3/4" NPT Hubs

INSTRUMENT HOUSINGS

XIHM Series - 3 9/16" ID Enclosures (standard) 3 5/8" ID Enclosures (available see note*)

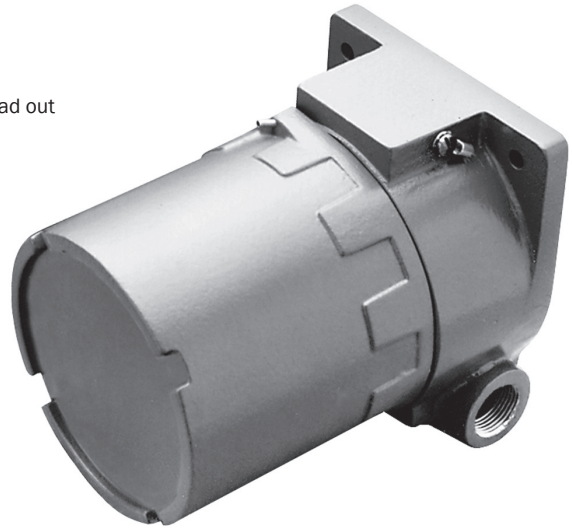
SINGLE ENDED HOUSING - XIHM housings accommodate large diameter assemblies, multi-level circuit boards or wide angle readouts and displays. The 3 9/16" ID provides maximum clearance to facilitate instrument mounting, calibration or service. Precision machined from sand-cast, copper-free aluminum.

STANDARD FEATURES

- 3/4" NPT conduit feed-through hubs offset for maximum clearance and capacity.
- 7/16" thick base for blind tapped instrument mounting holes in any location
- Glass cover models have a large 2-5/8" diameter, tempered glass window for local read out
- 60° chamfer on window opening provides enhanced viewing angle
- Buna-Nitrile rubber gasket for NEMA Type 4X watertight applications
- Front boss for bracket mounting or for use as additional conduit or sensor entry
- Corrosion resistant, "safety blue" polyester powder coating (other colors available)
- Internal and external ground screws and tamper resistant cover set screw
- Stainless steel hardware

DESIGN OPTIONS

- Mounting lugs with 5/16" holes (add suffix "L" to catalog number)
- Additional small hole drilling and tapping in the backwall for mounting of instrumentation
- 1/2" NPT or 3/4" NPT opening into back wall conduit, sensor or probe
- Front boss modifications: 1/2", 3/4" or 1" NPT; 1/2", 3/4" or 1" NPSM; or 20mm or 25mm for sensor, probe or conduit entry
- 1/2" NPT reducers are available - add suffix "2" to catalog number
- 1/4-20 UNC holes in front boss for bracket mounting (consult factory for other sizes)



CERTIFICATIONS

XIH - Domestic Ratings

Classified
Class I, Div. 1, Groups B, C, D
Class II, Div. 1, Groups E, F, G
Class III
NEMA Type 4X
UL1203; CSA c22.2 No. 30 & CSA C22.2 No. 25

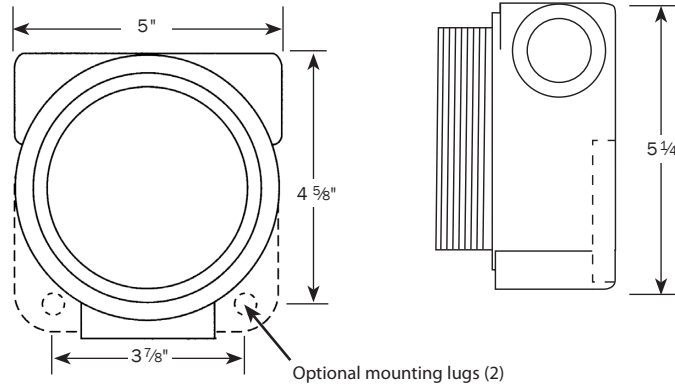
XIHX - Global Ratings (Optional)

ATEX	EN60079-0, EN60079-1
II 2G Ex d IIC	EN61241-0, EN61241-1
II 2D Ex tD A20	EN60529
IP66	
IECEx	IEC60079-0 & IEC60079-1
Ex d IIC	IEC60529
IP66	



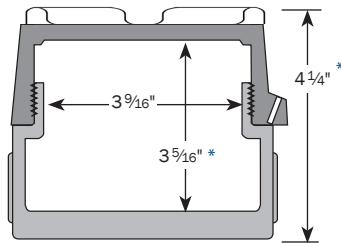
NOTE: An extended temperature range applies to ATEX and IECEx ratings only (-50° C to +85° C ambient)
*Throat diameter can be increased to 3 5/8" - please consult factory

INSTRUMENT HOUSINGS



Optional mounting lugs (2)

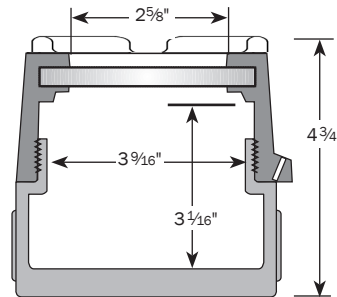
Solid Cover Arrangements



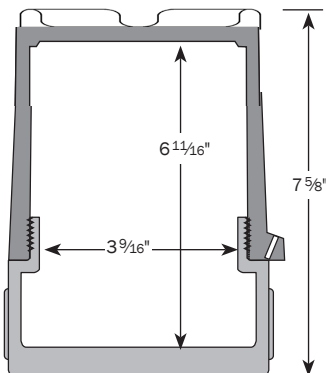
* Midsize solid cover available, add 11/16" to above dimensions

SOLID COVER	
Catalog Number	Description
XIHMFCX	Flat Cover, 3/4" NPT Hubs
XIHMMCX	Mid Size Cover, 3/4" NPT Hubs

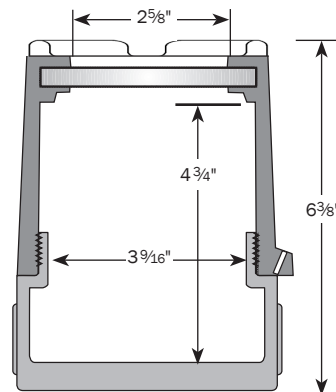
Glass Cover Arrangements



GLASS COVER	
Catalog Number	Description
XIHMFGCX	Flat Glass Cover, 3/4" NPT Hubs



SOLID COVER	
Catalog Number	Description
XIHMDXCX	Dome Cover, 3/4" NPT Hubs



GLASS COVER	
Catalog Number	Description
XIHMDGCX	Dome Glass Cover, 3/4" NPT Hubs

EXPLOSIONPROOF
INSTRUMENT HOUSINGS

INSTRUMENT HOUSINGS

XDHM Series - 3-5/8" ID Enclosures

DOUBLE ENDED HOUSING - XDHM housings are designed to isolate incoming power connections from instrumentation. The 3 5/8" ID provides maximum clearance to facilitate instrument mounting, calibration or service, with back-to-back chambers separated by a solid, 1/2" thick wall. Precision machined from sand-cast, copper-free aluminum.

STANDARD FEATURES

- 3/4" NPT conduit feed-through hubs, offset into power side for maximum clearance and capacity
- Front boss with 3/4" NPT opening into instrument side for conduit, sensor or probe (see design options for other sizes)
- Internal and external ground screws and tamper resistant cover set screws for extra safety
- A choice of solid covers or 2 5/8" diameter tempered glass window for local read out and display
- 60° chamfer on window opening provides enhanced viewing angle
- Buna-Nitrile rubber gasket for NEMA Type 4X watertight applications
- Corrosion resistant, "safety blue" polyester powder coating (other colors available)
- Stainless steel hardware



DESIGN OPTIONS

- 2- to 8-point, power side terminal strip with sealed pass-through to instrument (add suffix "2T", "4T", "6T" or "8T" to catalog number)
- Internal wall can be modified (Drilled & Tapped) to suit design needs, or be completely removed and still maintain approvals. Please consult factory.
- Power side (shallow side) cover options:

Flat Solid	—	Standard
Dome Glass	—	Add Suffix "A"
Flat Glass	—	Add Suffix "B"
Dome Solid	—	Add Suffix "C"
Midsized Solid	—	Add Suffix "D"
- Front Boss Modifications: 1/2", 3/4" or 1" NPT; 1/2", 3/4" or 1" NPSM; or 20mm or 25mm opening modify for sensor, probe or conduit entry
- 1/2" NPT reducers are available – add suffix "2" to catalog-number
- 1/4"-20 UNC holes in front boss for bracket mounting. (Consult factory for other sizes.)

CERTIFICATIONS

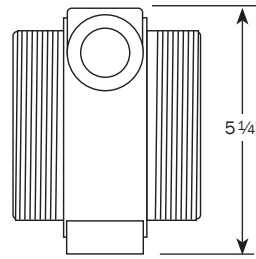
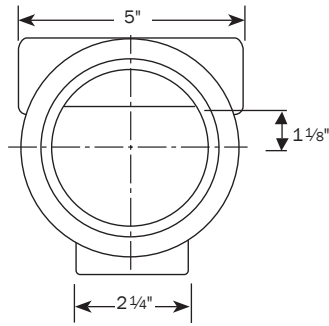
XDHM - DOMESTIC RATINGS:

Classified
 Class I, Div. 1, Groups B, C, D
 Class II, Div. 1 Groups E, F, G
 Class III
 NEMA Type 4X
 UL1203; CSA C22.2 No. 30 & CSA C22.2 No. 25

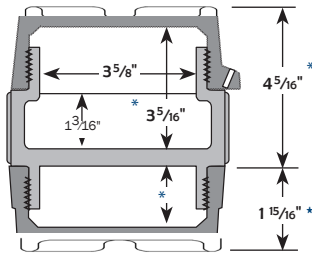
XDHMX - GLOBAL RATINGS (OPTIONAL):

ATEX
 II 2G Ex d IIB+H2 EN60079-0, EN60079-1
 II 2 D Ex tD A20 EN61241-0, EN61241-1
 IP66 EN60529
 IECEx
 Ex d IIB + H² IEC60079-0 & IEC60079-1
 IP66 IEC60529





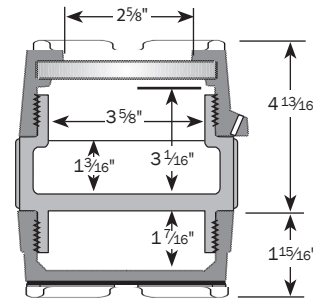
Solid Cover Arrangements



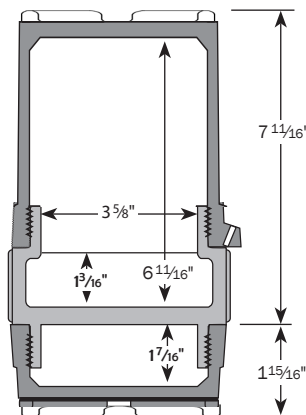
* Midsize solid cover available – add 11/16" to above dimensions.

SOLID COVER	
Catalog Number	Description
XDHMFCX	Flat Cover, 3/4" NPT Hubs
XDHMMCX	Mid Size Cover, 3/4" NPT Hubs

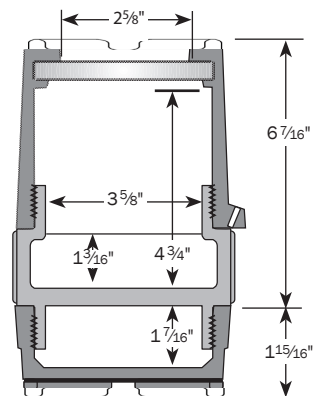
Glass Cover Arrangements



GLASS COVER	
Catalog Number	Description
XDHMFGCX	Flat Glass Cover, 3/4" NPT Hubs



SOLID COVER	
Catalog Number	Description
XDHMDCX	Dome Cover, 3/4" NPT Hubs



GLASS COVER	
Catalog Number	Description
XDHMDGCX	Dome Glass Cover, 3/4" NPT Hubs

INSTRUMENT HOUSINGS

XIHL Series - 4" ID Enclosures (Large)

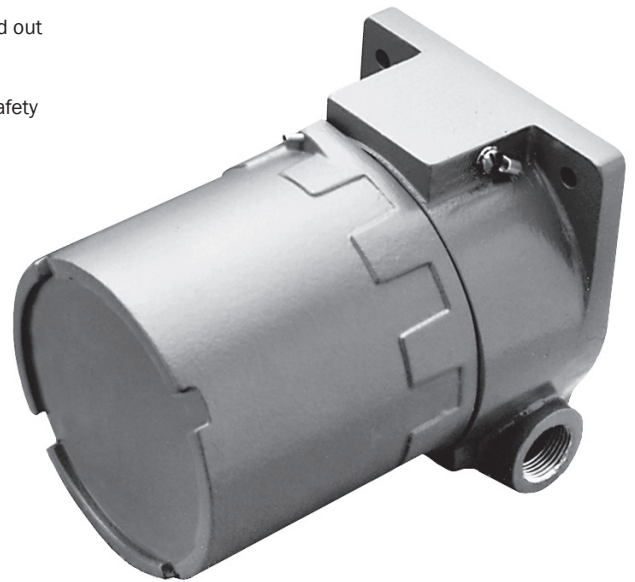
SINGLE ENDED HOUSING - XIHL housings accommodate large diameter assemblies, multi-level circuit boards or wide angle readouts and displays. The 4" ID provides maximum clearance to facilitate instrument mounting, calibration or service. Precision machined from sand-cast copper-free aluminum.

STANDARD FEATURES

- 3/4" NPT conduit feed-through hubs offset for maximum clearance and capacity
- 1/2" thick base for blind tapped instrument mounting holes in any location
- Glass cover models have a large 3-5/8" diameter, tempered glass window for local read out
- Buna-Nitrile rubber gasket for NEMA Type 4X watertight applications
- Corrosion resistant, "safety blue" polyester powder coating (other colors available)
- Internal and external ground screws and tamper resistant cover set screw for extra safety
- Stainless steel hardware

DESIGN OPTIONS

- Four 1/4-20 UNC holes in front boss for bracket mounting
- Front boss and backwall modifications: 1/2" to 1" NPT, 1/2" to 3/4" NPSM or 20mm for sensor, probe or conduit entry. Consult factory for other sizes.
- 1/2" NPT reducers are available - add suffix "2" to catalog number



CERTIFICATIONS

XIH - Domestic Ratings

Classified
 Class I, Div. 1, Groups B, C, D
 Class II, Div. 1, Groups E, F, G
 Class III
 NEMA Type 4X
 UL1203; CSA c22.2 No. 30 & CSA C22.2 No. 25

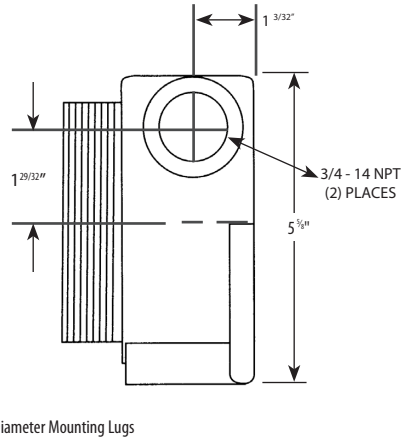
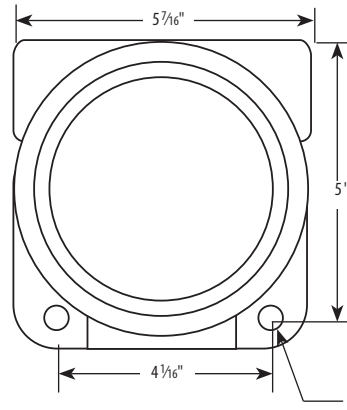
XIHX - Global Ratings (Optional)

ATEX	
II 2G Ex d IIC	EN60079-0, EN60079-1
II 2D Ex tD A20	EN61241-0, EN61241-1
IP66	EN60529
IECEx	
Ex d IIC	IEC60079-0 & IEC60079-1
IP66	IEC60529

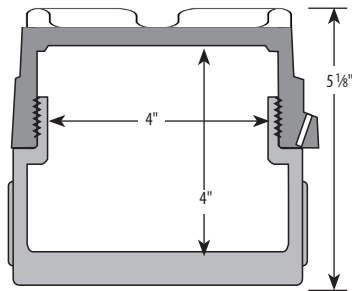


NOTE: An extended temperature range applies to ATEX and IECEx ratings only (-50° C to +85° C ambient)

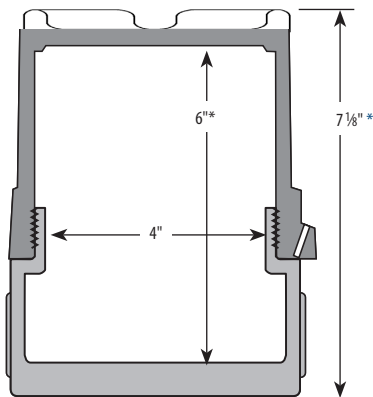
INSTRUMENT HOUSINGS



Solid Cover Arrangements



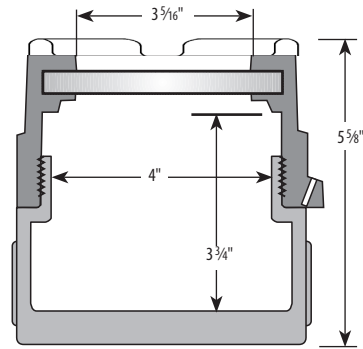
SOLID COVER	
CATALOG NUMBER	DESCRIPTION
XIHLFCX	Flat Cover, 3/4" NPT Hubs



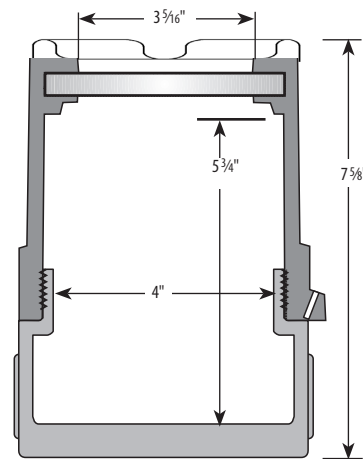
SOLID COVER	
CATALOG NUMBER	DESCRIPTION
XIHLDCX	Dome Cover, 3/4" NPT Hubs
XIHLECX*	Extended dome cover

* Extended Dome 'EC' Cover adds 15/16"

Glass Cover Arrangements



GLASS COVER	
CATALOG NUMBER	DESCRIPTION
XIHLFGCX	Flat Glass Cover, 3/4" NPT Hubs



GLASS COVER	
CATALOG NUMBER	DESCRIPTION
XIHLDCGX	Dome Glass Cover, 3/4" NPT Hubs

EXPLOSIONPROOF INSTRUMENT HOUSINGS

INSTRUMENT HOUSINGS

XDHL Series - 4" ID Enclosures (Large)

DOUBLE ENDED HOUSING - XDHL housings are designed to isolate incoming power connections from instrumentation. The 4" ID provides maximum clearance to facilitate instrument mounting, calibration or service, with back-to-back chambers separated by a solid, 1/2" thick wall. Precision machined from sand-cast, copper-free aluminum.

STANDARD FEATURES

- 3/4" NPT conduit feed-through hubs, offset into power side for maximum clearance and capacity
- Front boss with 3/4" NPT opening into instrument side for conduit, sensor or probe (see design options for other sizes)
- Internal and external ground screws and tamper resistant cover set screws for extra safety
- Choice of solid covers or 3 5/8" diameter tempered glass window for local read out and display
- Buna-Nitrile rubber gasket for NEMA Type 4X watertight applications
- Corrosion resistant, "safety blue" polyester powder coating (other colors available)
- Stainless steel hardware

DESIGN OPTIONS

- 2- to 12-point, power side terminal strip with sealed pass-through to instrument (add suffix "2T", "4T", "6T", "8T", "10T" or "12T" to catalog number)
- Internall wall can be modified (drilled and tapped) to suit design needs, or to be completely removed and still maintain approvals. Please consult factory.
- Power side (shallow side) cover options:
 - Flat Solid - Standard
 - Dome Glass - Add suffix "A"
 - Flat Glass - Add suffix "B"
 - Dome Solid - Add suffix "C"
- Front boss modifications: 1/2", 3/4" or 1" NPT; 1/2", 3/4" or 1" NPSM; or 20mm, 25mm or 30mm entry for sensor, probe conduit
- 1/2" NPT reducers are available - add suffix "2" to catalog number
- Four 1/4-20 UNC holes in front boss for bracket mounting (consult factory for other sizes)



CERTIFICATIONS

XIH - Domestic Ratings

Classified
 Class I, Div. 1, Groups B, C, D
 Class II, Div. 1, Groups E, F, G
 Class III
 NEMA Type 4X
 UL1203; CSA c22.2 No. 30 & CSA
 C22.2 No. 25

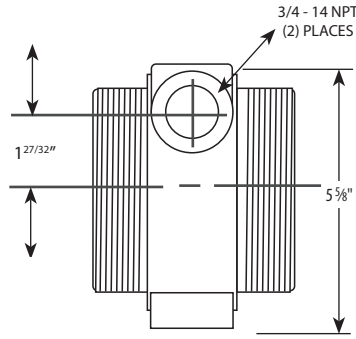
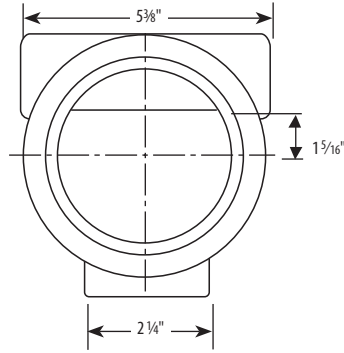
XIHX - Global Ratings (Optional)

ATEX
 II 2G Ex d II B + H2
 II 2D Ex tD A20
 IP66
 IECEx
 Ex d II B + H2
 IP66

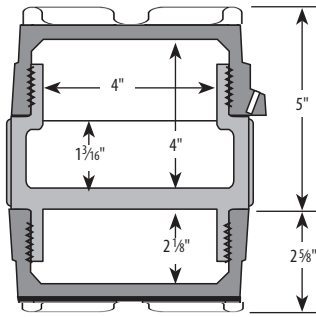
EN60079-0, EN60079-1
 EN61241-0, EN61241-1
 EN60529
 IEC60079-0 & IEC60079-1
 IEC60529



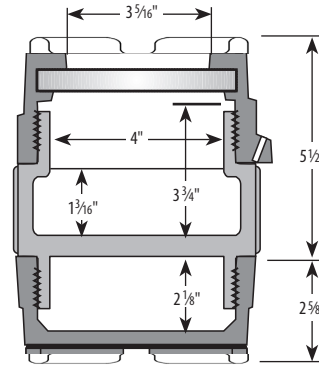
INSTRUMENT HOUSINGS



Solid Cover Arrangements

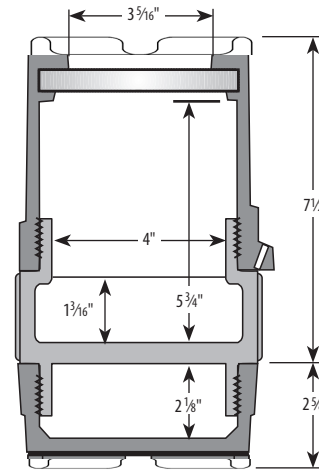
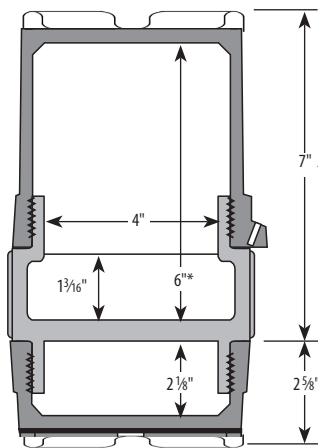


Glass Cover Arrangements



SOLID COVER	
CATALOG NUMBER	DESCRIPTION
XDHLFCX	Flat Cover, 3/4" NPT Hubs

GLASS COVER	
CATALOG NUMBER	DESCRIPTION
XDHLFGCX	Flat Glass Cover, 3/4" NPT Hubs



SOLID COVER	
CATALOG NUMBER	DESCRIPTION
XDHLDCX	Dome Cover, 3/4" NPT Hubs
XDHLECX*	Extended dome cover, 3/4" NPT Hubs

GLASS COVER	
CATALOG NUMBER	DESCRIPTION
XDHLDCGX	Dome Glass Cover, 3/4" NPT Hubs

* Extended Cover (EC) adds 15/16"

EXPLOSIONPROOF
INSTRUMENT HOUSINGS

INSTRUMENT HOUSINGS

XIHN Series - 4 1/16" ID Enclosures

Designed to house circuit boards, meters, and instrumentation, Adalet die-cast aluminum housings provide rugged protection for measurement and detection applications in corrosive, hazardous areas. The XIHN series die-cast aluminum instrument enclosures are ideal for housing and protecting OEM measurement and sensing devices in harsh or hazardous environments.

STANDARD FEATURES

- Modern contour design provides updated look for OEM instrument products
- Die-casting provides superior finish
- Removable mounting panel for convenient field drilling & tapping of mounting holes
- Up to four conduit entries / Two 3/4" NPT conduit entries are standard
- Two cast-on centered mounting tabs
- Generous front boss allows for optional bracket holes or larger conduit entry (up to 1" NPT)
- Glass covers feature low profile / tab free retaining ring for maximum instrument clearance
- Two solid and two glass cover choices to accommodate various depth instruments
- Bored throat opening provides superior concentricity - 4-1/16" diameter
- Glass covers feature 3-5/16" viewing window diameter
- Internal / external grounding hardware
- Global certifications: UL, cUL, ATEX, and IECEx

DESIGN OPTIONS

- 1/4"-20 UNC holes in front boss for bracket mounting
- Front boss modifications: 1/2", 3/4" or 1" NPT and various NPSM and metric entries
- 1/2" NPT reducers available (add suffix "2" to catalog number)
- Custom drilling & tapping in mounting pan
- Backwall NPT entry in lieu of mounting pan



CERTIFICATIONS

Domestic Ratings

Classified
Class I, Div. 1, Groups B, C, D
Class II, Div. 1, Groups E, F, G
Class III
NEMA Type 4X
Class I Zone 1 AEx d IIC
Ex d IIC (Canada)

Global Ratings (Optional)

ATEX
DEMKO 07 ATEX 0622294U
0539 II 2 G Ex d IIC Gb
0539 II 2 D Ex tb IIIC Db IP66

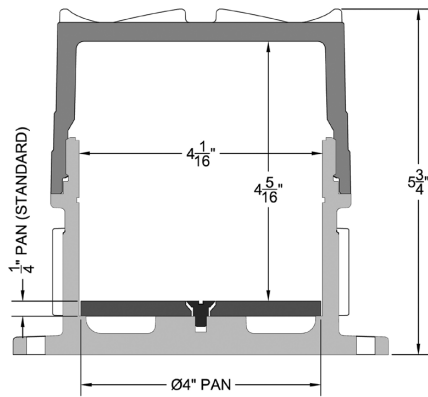
IECEX
IECEX UL 08.0005U
Ex d IIC Gb
Ex tb IIIC Db IP66

Standard Ambient Temp. Range: -34C<Ta<100C
Optional Ambient Temp. Range: -50C<Ta<100C



NOTE: An extended temperature range applies to ATEX and IECEx ratings only (-50°C to +85°C ambient)

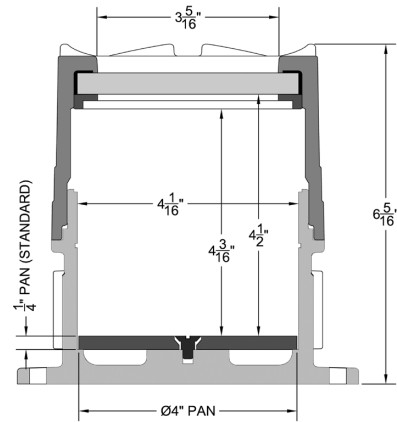
Solid Cover Arrangements



SOLID COVER

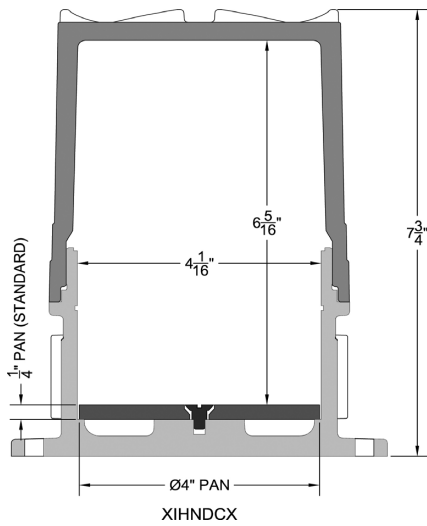
CATALOG NUMBER	DESCRIPTION
XIHNFCX	Flat Cover, 3/4" NPT Hubs

Glass Cover Arrangements



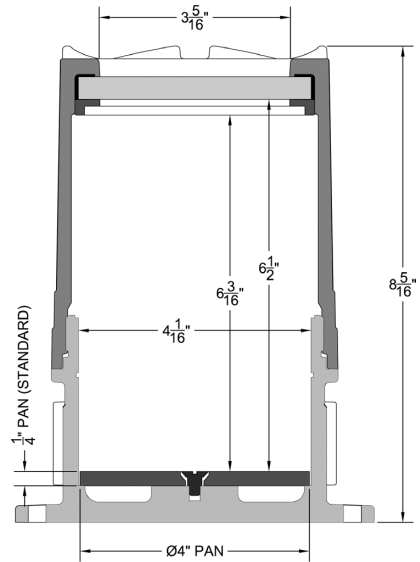
GLASS COVER

CATALOG NUMBER	DESCRIPTION
XIHNGCX	Flat Glass Cover, 3/4" NPT Hubs



SOLID COVER

CATALOG NUMBER	DESCRIPTION
XIHNSDCX	Dome Cover, 3/4" NPT Hubs



GLASS COVER

CATALOG NUMBER	DESCRIPTION
XIHNSDGCX	Dome Glass Cover, 3/4" NPT Hubs

EXPLOSIONPROOF
INSTRUMENT HOUSINGS

INSTRUMENT HOUSINGS

XIHNS Series - 4 1/16" ID Enclosures (Stainless Steel)

The new XIHNS next generation stainless steel, explosionproof instrument enclosure features a new, updated design and various features, options and approvals. The 316L investment cast, stainless steel housing is ideal for rugged or explosionproof applications where severe corrosion exists. The modern, contour design provides an updated look for OEM applications housing sensitive instrumentation such as measurement devices, transmitters, multi-level circuit boards, or wide angle readouts and displays.

EXPLOSIONPROOF
INSTRUMENT HOUSINGS

STANDARD FEATURES

- Modern contour design provides updated look for OEM instrument products
- Investment casting provides superior finish
- Removable internal mounting panel for convenient field drilling & tapping of mounting holes
- Up to five conduit entries - most on the market / Three 3/4" NPT conduit entries are standard
- Two cast-on mounting tabs, centered, with an optional 3rd tab for heavy vibration applications
- Generous front boss allows for optional bracket holes or larger conduit entry (up to 1-1/4" NPT)
- Bored throat opening provides superior concentricity - 4" diameter
- Two solid and two glass covers are available to accommodate various depth instruments.
- Glass covers feature 3.31" viewing window diameter
- Glass covers feature low profile / tab free retaining ring for maximum instrument clearance
- Internal / external grounding hardware
- Global certifications: UL, cUL, ATEX, and IECEx

DESIGN OPTIONS

- 1/4"-20 UNC holes in front boss for bracket mounting
- Front boss modifications: 1/2", 3/4" or 1" NPT and various NPSM & metric entries
- 1/2" NPT reducers available (add suffix "2" to catalog number)
- Custom drilling & tapping in mounting pan
- Backwall NPT entry in lieu of mounting pan



CERTIFICATIONS

XIH - Domestic Ratings

Classified
Class I, Div. 1, Groups B, C, D
Class II, Div. 1, Groups E, F, G
Class III
NEMA Type 4X
UL1203; CSA c22.2 No. 30
& CSA C22.2 No. 25

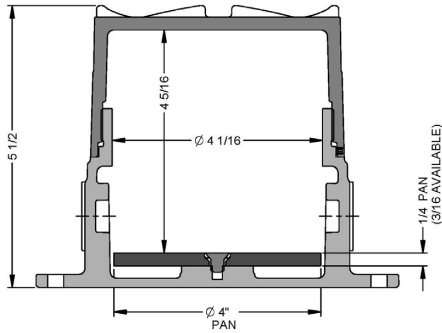
XIHX - Global Ratings (Optional)

ATEX
II 2G Ex d IIC
II 2D Ex tD A20
IP66
IECEX
Ex d IIC
IP66
EN60079-0, EN60079-1
EN61241-0, EN61241-1
EN60529
IEC60079-0 & IEC60079-1
IEC60529



NOTE: An extended temperature range applies to ATEX and IECEx ratings only (-50° C to +85° C ambient)

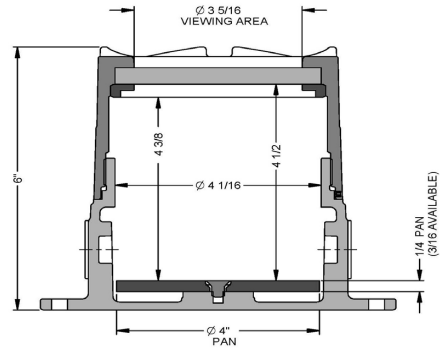
Solid Cover Arrangements



SOLID COVER

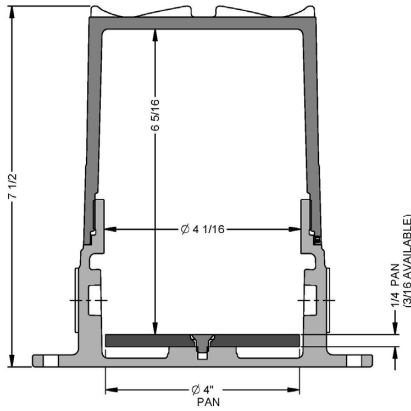
CATALOG NUMBER	DESCRIPTION
XIHNSFCX	Flat Cover, 3/4" NPT Hubs

Glass Cover Arrangements



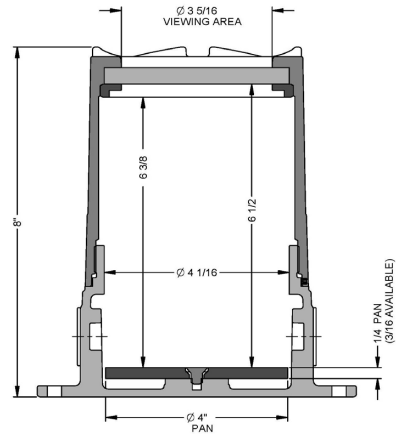
GLASS COVER

CATALOG NUMBER	DESCRIPTION
XIHNSFGCX	Flat Glass Cover, 3/4" NPT Hubs



SOLID COVER

CATALOG NUMBER	DESCRIPTION
XIHNSDCX	Dome Cover, 3/4" NPT Hubs



GLASS COVER

CATALOG NUMBER	DESCRIPTION
XIHNSDGCX	Dome Glass Cover, 3/4" NPT Hubs

INSTRUMENT HOUSINGS

XIHS Series - 2 5/8" ID Enclosures

XIHS housings are designed to accommodate small instruments or devices. The 2 5/8" ID enclosure is offered in six different conduit configurations and a choice of cover arrangements. Precision machined from sand-cast, copper-free aluminum.

STANDARD FEATURES

- 1/2", 3/4" or 1" NPT conduit feed-through hubs for power
- Internal ground screw
- Interior instrument mounting bosses that accommodate blind tapped holes on a 2" bolt circle
- Glass cover arrangements with a 1 1/8" diameter tempered glass window for local read out
- Buna-Nitrile rubber gasket for NEMA Type 4X watertight applications
- Tumbleblast, natural aluminum finish

DESIGN OPTIONS

- Powder or epoxy coatings to match company color scheme
- Cast-on lugs
- Custom drilling and tapping modifications



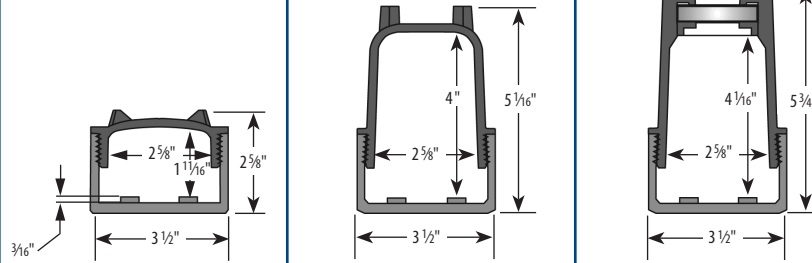
CERTIFICATIONS

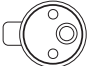
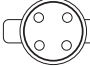



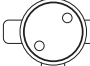

Class I, Div. 1, Groups B, C, D
 Class II, Div. 1, Groups E, F, G
 Class III
 NEMA Type 4X, 7, 9
 UL Standard 1203
 CSA Standard C22.2 No. 30
 FM Standard 3615
 NEMA Compliance



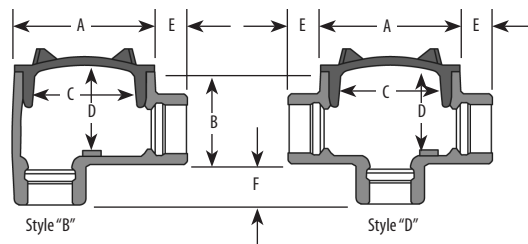
INSTRUMENT HOUSINGS

COVER ARRANGEMENTS



BASE STYLES	CATALOG #	CONDUIT SIZE	CATALOG #	CONDUIT SIZE	CATALOG #	CONDUIT SIZE
B 	XIHSBFC2	1/2" NPT	XIHSBDC2	1/2" NPT	XIHSBDGC2	1/2" NPT
	XIHSBFC3	3/4" NPT	XIHSBDC3	3/4" NPT	XIHSBDGC3	3/4" NPT
	XIHSBFC4	1" NPT	XIHSBDC4	1" NPT	XIHSBDGC4	1" NPT
C 	XIHSCFC2	1/2" NPT	XIHSCDC2	1/2" NPT	XIHSCDGC2	1/2" NPT
	XIHSCFC3	3/4" NPT	XIHSCDC3	3/4" NPT	XIHSCDGC3	3/4" NPT
	XIHSCFC4	1" NPT	XIHSCDC4	1" NPT	XIHSCDGC4	1" NPT
D 	XIHSDFC3	3/4" NPT	XIHSDDC3	3/4" NPT	XIHSDDGC3	3/4" NPT
	XIHSDFC4	1" NPT	XIHSDDC4	1" NPT	XIHSDDGC4	1" NPT
L 	XIHSLFC2	1/2" NPT	XIHSLDC2	1/2" NPT	XIHSLDGC2	1/2" NPT
	XIHSLFC3	3/4" NPT	XIHSLDC3	3/4" NPT	XIHSLDGC3	3/4" NPT
	XIHSLFC4	1" NPT	XIHSLDC4	1" NPT	XIHSLDGC4	1" NPT
T 	XIHSTFC2	1/2" NPT	XIHSTDC2	1/2" NPT	XIHSTDGC2	1/2" NPT
	XIHSTFC3	3/4" NPT	XIHSTDC3	3/4" NPT	XIHSTDGC3	3/4" NPT
	XIHSTFC4	1" NPT	XIHSTDC4	1" NPT	XIHSTDGC4	1" NPT
X 	XIHSXFC2	1/2" NPT	XIHSXDC2	1/2" NPT	XIHSXDGC2	1/2" NPT
	XIHSXFC3	3/4" NPT	XIHSXDC3	3/4" NPT	XIHSXDGC3	3/4" NPT
	XIHSXFC4	1" NPT	XIHSXDC4	1" NPT	XIHSXDGC4	1" NPT
Y 	XIHSYFC23	ONE 1/2" NPT	XIHSYDC23	ONE 1/2" NPT	XIHSYDGC23	ONE 1/2" NPT
		ONE 3/4" NPT		ONE 3/4" NPT		ONE 3/4" NPT

NOTE Above dimensions are for 1/2" and 3/4" NPT. For 1" NPT housings, add 5/16" to height dimensions



CONDUIT SIZE	A	B	C	D	E	F
1/2	3 1/2	2-1/16	2-5/8	1-11/16	7/8	7/8
3/4	3 1/2	2-1/16	2-5/8	1-11/16	7/8	7/8
1	3 1/2	2-3/8	2-5/8	2	1	1

EXPLOSIONPROOF
INSTRUMENT HOUSINGS