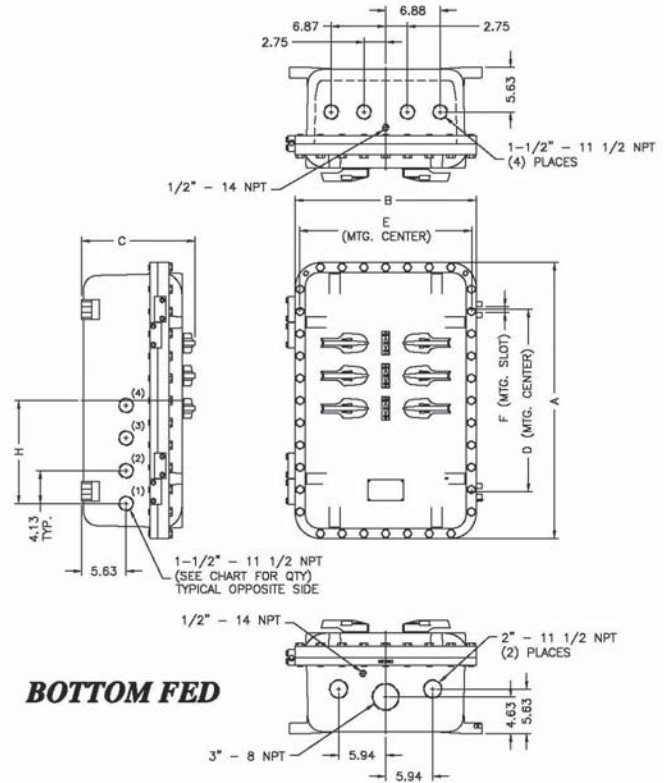
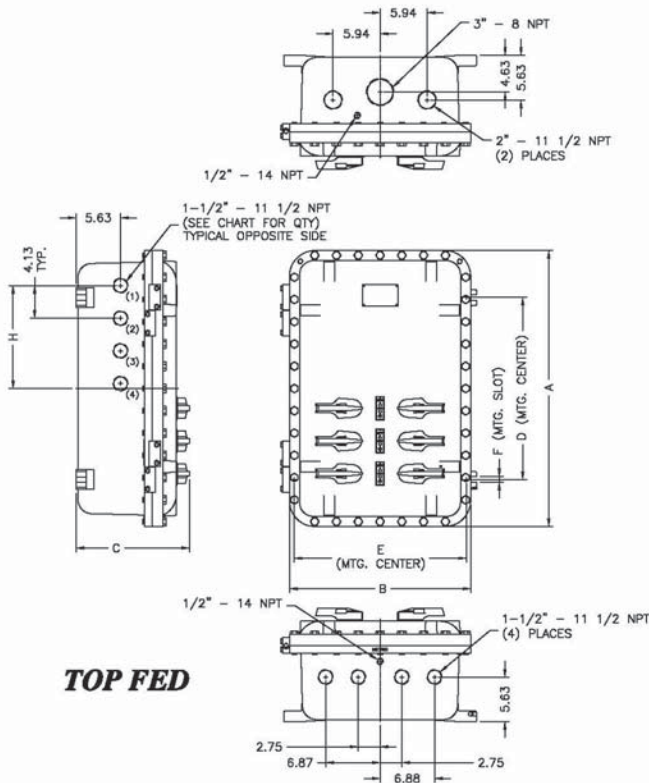


PANELBOARDS

Explosionproof Panelboards Power Panel Main Lug Only

EXPLOSIONPROOF
Panelboards



CERTIFICATIONS

Class I, Groups B, C, D
 Class II, Groups F & G
 Class III
 Class I, Zone 1, AE x d IIB
 Ex d IIB+H₂
 Type 4X, 7, 9



DIMENSIONAL OUTLINE

Catalog #	A	B	C	D	E	F	H		
X1PB3-4_	28.88	22.88	14.46	18.38	15.75	.69	10.00	1 & 2	XCEX 182408 N4
X1PB3-6_	34.88	22.88	14.35	23.00	15.75	.69	13.00	1 THRU 3	XCEX 183008 N4
X1PB3-8_	34.88	22.88	14.35	23.00	15.75	.69	13.00	1 THRU 3	XCEX 183008 N4
X1PB3-10_	40.88	22.88	14.54	29.00	21.75	.69	16.00	1 THRU 4	XCEX 183608 N4

POWER PANELS

Catalog #	Eaton Cutler Hammer Pow-R-Line C Panelboards			
	# 3-Pole Branch Brkrs	Electrical Rating	Buss Amp	Chassis Type
X1PB3-434-L2_	4	3Ø-3W 480V	225	PRL3A
X1PB3-634-L2_	6	3Ø-3W 480V	225	PRL3A
X1PB3-834-L2_	8	3Ø-3W 480V	225	PRL3A
X1PB3-1034-L2_	10	3Ø-3W 480V	225	PRL3A
X1PB3-444-L2_	4	3Ø-3W 480V	225	PRL3A
X1PB3-644-L2_	6	3Ø-4W 480V	225	PRL3A
X1PB3-844-L2_	8	3Ø-4W 480V	225	PRL3A
X1PB3-1044-L2_	10	3Ø-4W 480V	225	PRL3A
X1PB3-436-L2_	4	3Ø-3W 600V	225	PRL3A
X1PB3-636-L2_	6	3Ø-3W 600V	225	PRL3A
X1PB3-836-L2_	8	3Ø-3W 600V	225	PRL3A
X1PB3-1036-L2_	10	3Ø-3W 600V	225	PRL3A
X1PB3-446-L2_	4	3Ø-4W 600V	225	PRL3A
X1PB3-646-L2_	6	3Ø-4W 600V	225	PRL3A
X1PB3-846-L2_	8	3Ø-4W 600V	225	PRL3A
X1PB3-1046-L2_	10	3Ø-4W 600V	225	PRL3A

BRANCH CIRCUIT OPERATING HANDLES & PLUGS

Catalog #	DESCRIPTION
X1PB1-H1	SINGLE POLE PL1A BREAKER HANDLE
X1PB1-H2	TWO POLE PL1A BREAKER HANDLE
X1PB1-H3	THREE POLE PL1A BREAKER HANDLE
X1PB2-H	PL2A BREAKER HANDLE (ALL POLES)
X1PB1-HGL1	SINGLE POLE PL1A GFI/EPD BREAKER HANDLE - LEFT HAND
X1PB1-HGR1	SINGLE POLE PL1A GFI/EPD BREAKER HANDLE - RIGHT HAND
X1PB1-HGL2	TWO POLE PL1A GFI/EPD BREAKER HANDLE - LEFT HAND
X1PB1-HGR2	TWO POLE PL1A GFI/EPD BREAKER HANDLE - RIGHTHAND
15562-7	BRANCH SPACE PLUG

BRANCH BREAKERS

Volts	Type
480	EHD
600	FDB

NOTES:

1. For Bottom Fed Model add suffix -B
2. For Top Fed Model add suffix -T
3. 10kA Maximum Interrupting Capacity (Sym.)